

ZENITH-S Series

Ex ATEX-IECEX-EAC Ex II 2GD

INCREASED SAFETY ENCLOSURES



The ZENITH-S Series includes enclosures in AISI 304L or AISI 316L steel. The enclosures can be supplied with screw-fixed lid, with hinges and/or flanges on the four sides.

They are suitable for installation in environments with classification Ex zone 1/Gb -2/Gc (due to the presence of gases, vapours and mists in group IIC) and/or zone 21/Db - 22/Dc (due to the presence of the combustible dust in group IIIC).

VERSIONS

	Empty enclosure
	Junction box
	Control and command station

TECHNICAL CHARACTERISTICS

Degree of protection:	IP66
Service temperature, empty enclosures:	-50°C ≤ Ta ≤ +100°C
Ambient temperature, junction boxes, control stations:	-50°C ≤ Ta ≤ +75°C
Impact resistance:	7 J
Material:	<ul style="list-style-type: none"> • AISI 316L • AISI 304L
Finish:	Glossy satin

REFERENCE STANDARDS

ATEX IECEX	IEC/EN 60079-0 Electrical apparatus for potentially explosive atmospheres. <i>Part 0: General requirements.</i>
ATEX IECEX	IEC/EN 60079-1 Electrical apparatus for potentially explosive atmospheres. <i>Part 1: equipment protection by flameproof enclosures "d".</i>
ATEX IECEX	IEC/EN 60079-7 Electrical apparatus for potentially explosive atmospheres. <i>Part 7: equipment protection by increased safety "e".</i>
ATEX IECEX	IEC/EN 60079-11 Electrical apparatus for potentially explosive atmospheres. <i>Part 11: intrinsic safety "i".</i>
ATEX IECEX	IEC/EN 60079-18 Electrical apparatus for potentially explosive atmospheres. <i>Part 18: Equipment protection by encapsulation "m"</i>
ATEX IECEX	IEC/EN 60079-31 Electrical apparatus for potentially explosive atmospheres. <i>Part 31: Protection by enclosures "t".</i>

Ex CHARACTERISTICS

ATEX Category:	Ex II 1G, 2GD
Ex Protection type:	Ex eb IIC Gb
Empty enclosures	Ex tb IIIC Db
Junction boxes:	Ex eb IIC T6, T5, T4 Gb or Ex e IIC T6, T5, T4 Gb Ex eb ia IIC T6, T5, T4 Gb or Ex e ia IIC T6, T5, T4 Gb Ex ia IIC T6, T5, T4 Ga Ex tb IIIC T80°C, T95°C or T130°C Db
Control stations:	Ex db eb IIC T6,T5,T4 Gb or Ex d e IIC T6,T5,T4 Gb Ex db eb mb IIC T6,T5,T4 Gb or Ex d e mb IIC T6,T5,T4 Gb Ex eb mb IIC T6,T5,T4 Gb or Ex e mb IIC T6,T5,T4 Gb Ex tb IIIC T80°C, T95°C, T130°C Db
Surface temperature class DUST:	T80°C, T95°C, T130°C
Temperature class GAS:	T4, T5, T6
Certificates:	
- Empty enclosure	IMQ 19 ATEX 033 U IECEX IMQ 19.0004 U
- Junction boxes	IMQ 19 ATEX 034 X IECEX IMQ 19.0005 X
- Control station	IMQ 19 ATEX 034 X IECEX IMQ 19.0005 X

BEHAVIOUR WITH CHEMICAL AND ATMOSPHERIC AGENTS

Saline solution	Acids		Bases		Solvents				Mineral oil	UV rays
	Concentrated	Diluted	Concentrated	Diluted	Hexane	Benzol	Acetone	Alcohol		
Resistant	Limited Resistance	Resistant	Limited Resistance	Resistant	Resistant	Resistant	Resistant	Resistant	Resistant	Resistant

Resistance values to chemical agents have to be considered indicative.
For further information and specific substances, contact the technical service.

TERMINAL MOUNTING



Terminals will be mounted on rails or on internal plates. DIN rail (TS 15, TS 35): 1 row. Certified terminals with nominal section from 1.5 mm² up to 240mm².

APPLICATION EXAMPLES



ZENITH-S Series

 ATEX-IECEX-EAC Ex
II 2GD

■ EMPTY ENCLOSURE



The empty enclosures in the ZENITH-S Series are approved with component certification ("U"). This partial certificate can be used as a basis for the certification of a complete system or to guarantee IP66 and/or Zone 2/22 protection in applications in the self-certification scheme. They are suitable for installation in environments with classification Ex zone 1/Gb -2/Gc (due to the presence of gases, vapours and mists in group IIC) and/or zone 21/Db - 22/Dc (due to the presence of the combustible dust in group IIIC).

■ JUNCTION BOX



The ZENITH-S Series can be customised as a junction box, equipping it with various sized terminals with separate ATEX-IECEX certification. Special versions can be developed in accordance with client specifications. Other accessories can be included, such as plastic or metal cable glands for simple and armoured cables, or drain/breather valves. They are suitable for installation in environments with classification Ex zone 1/Gb -2/Gc (due to the presence of gases, vapours and mists in group IIC) and/or zone 21/Db - 22/Dc (due to the presence of the combustible dust in group IIIC).

■ ACCESSORIES

- Plate bottom in zinc-plated steel/ AISI 316L / AISI 304L
- Fixing bracket in stainless steel AISI 316L / AISI 304L
- Drain and breather valve (M12 or M25)
- Ex e plastic / nickel-plated brass / AISI 316L / AISI 304L cable glands and plugs
- Actuators/components
- Analog instruments

■ CONTROL AND COMMAND STATION

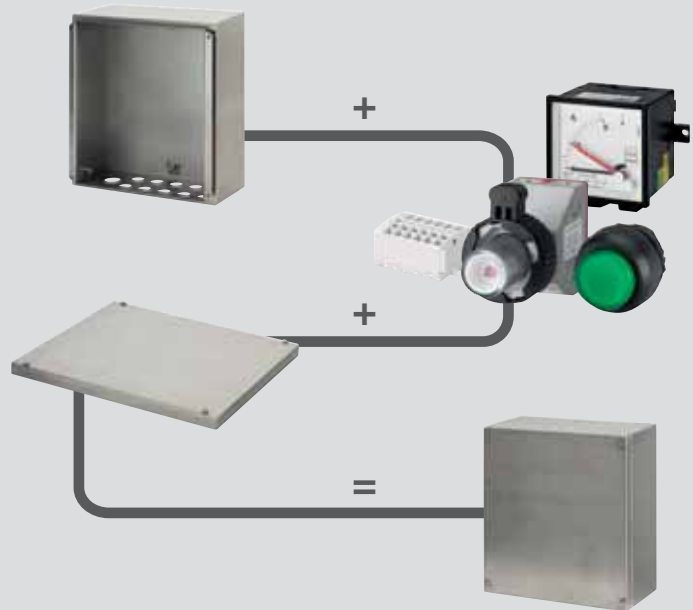


The ZENITH-S Series can be customised as a control station. The control stations can be assembled to house a broad range of actuators and components with separate ATEX-IECEX certification, including buttons, indicators, selectors, analogue instruments, etc... It is also possible to customise units including MCB, MCBO, RCD, transformers, disconnectors, fuses, timer or thermal relays, all with "Ex db eb" certification. They are suitable for installation in environments with classification Ex zone 1/Gb -2/Gc (due to the presence of gases, vapours and mists in group IIC) and/or zone 21/Db - 22/Dc (due to the presence of the combustible dust in group IIIC).

■ ADDITIONAL FEATURES FOR CONTROL STATIONS

- Push buttons/lighting push buttons
- Selector switches
- LED lamps
- Potentiometers
- Analog instruments (ammeters/voltmeters)
- Power resistors
- Diodes
- Voltage regulators (zener)
- Protection zener
- Electronic relays
- Resistive modules
- Fuses (up to 12,5A)
- Drain valves / breathers

■ CUSTOMIZED SOLUTIONS



Scame has ATEX and IECEx certification.

An efficient in-house analysis and quoting service is able to support clients during the decision-making process, generating offers and feasibility studies in a short time.

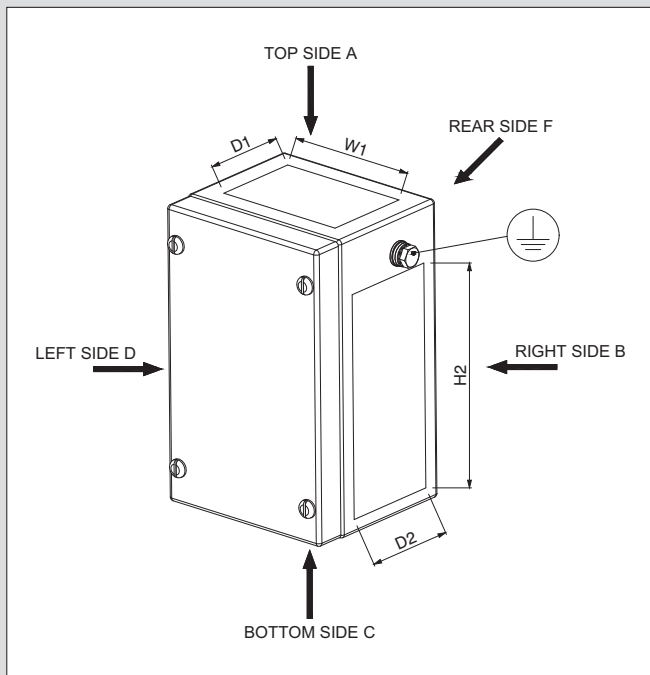
Thanks to production flexibility based on the principles of Lean Production and the use of highly qualified personnel and leading edge machinery, the company is able to develop junction boxes and control stations in customised configurations based on client specifications, without necessarily the need for large production batches.

- Fused terminals (up to 6,3A)
- MCB
- RCD
- RCBo
- Power contactors
- Motor starters + thermal relays
- Motor protection with disconnecter
- Thermal relays
- Temporized relays
- Miniaturized relays
- Transformers
- Power disconnectors up to 180A in AC3

ZENITH-S Series

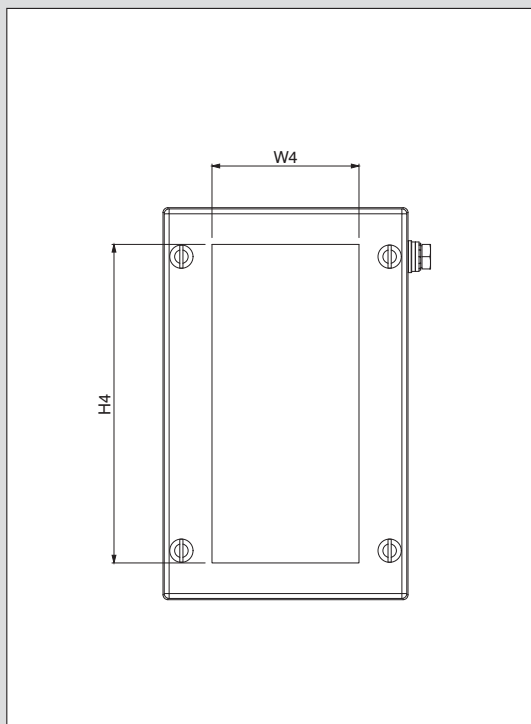
Ex ATEX-IECEX-EAC Ex II 2GD

645.B - BOX DRILLING AREA



Enclosure size (W x H x D)	Top/Bottom sides A/C W1 x D1	Left/Right sides B/D H2 x D2
90x90x75	80x50	80x50
100x100x90	90x65	90x65
100x160x90	90x65	150x65
100x220x90	90x65	210x65
150x160x120	140x95	150x95
150x220x120	140x95	210x95
150x280x120	140x95	270x95
200x220x120	190x95	210x95
200x280x120	190x95	270x95
250x280x120	240x95	270x95
250x340x150	240x125	330x125
300x340x150	290x125	330x125
300x400x150	290x125	390x125
400x400x150	390x125	390x125

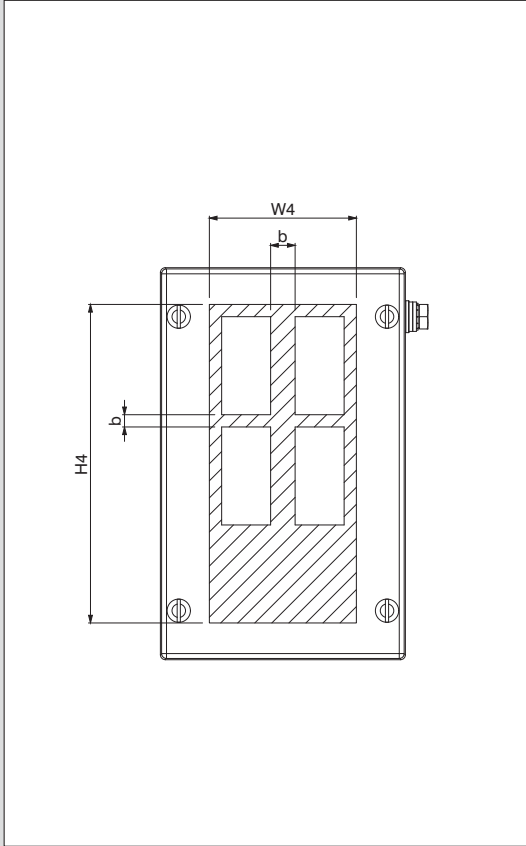
645.B - LID DRILLING AREA



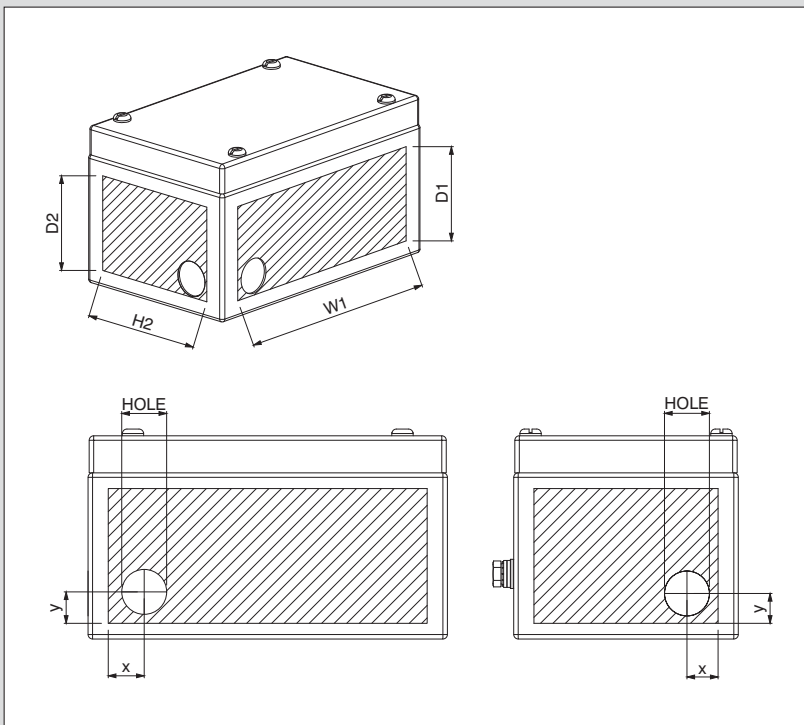
Enclosure size (W x H x D)	Maximum drilling area G (H4 x W4)	Max no. of holes			
		Ø 30,5mm	Ø 22,5mm	Ø 32,5mm	Ø30,8mm Ø30,6mm (with keyway)
90x90x75	50x60	\	\	\	\
100x100x90	60x70	1	1	1	1
100x160x90	60x130	1	1	1	1
100x220x90	60x190	2	2	2	2
150x160x120	110x130	2	2	2	2
150x220x120	110x190	3	3	3	3
150x280x120	110x250	4	4	4	4
200x220x120	160x190	5	5	5	5
200x280x120	160x250	7	7	7	7
250x280x120	210x250	9	9	9	9
250x340x150	210x310	12	12	12	12
300x340x150	260x310	15	15	15	15
300x400x150	260x370	15	15	15	15
400x400x150	360x370	25	25	25	25

CLEARANCE AND CREEPAGE

Manufacturer Actuator/Control Components	Maximum Mounting Ø a - (mm)	Minimum distance between two holes b - (mm)	Minimum distance between two holes c - (mm)
SCHNEIDER-ELECTRIC	Ø22,5	35	35
EX-TECH	Ø22,5	35	35
CZ	Ø30,6 (with keyway)	20	40

645.B - LID SQUARE WINDOWS DRILLING


Enclosure size (W x H x D)	Maximum drilling area G (H4 x W4)	Maximum square holes		
		Maximum number	Maximum Size	Minimum distance between two holes b - (mm)
90x90x75	50x60	-	-	-
100x100x90	60x70	1	57x53mm	60
100x160x90	60x130	1	57x53mm	60
100x220x90	60x190	2	57x53mm	60
150x160x120	110x130	1	57x53mm	60
150x220x120	110x190	2	57x53mm	60
150x280x120	110x250	3	57x53mm	60
200x220x120	160x190	1	118x95mm	60
200x280x120	160x250	2	118x95mm	60
250x280x120	210x250	2	118x95mm	60
250x340x150	210x310	2	118x95mm	60
300x340x150	260x310	2	118x95mm	60
		1	255x85mm	100
300x400x150	260x370	2	118x95mm	75
		1	255x85mm	100
400x400x150	360x370	2	118x95mm	75
		1	255x85mm	100

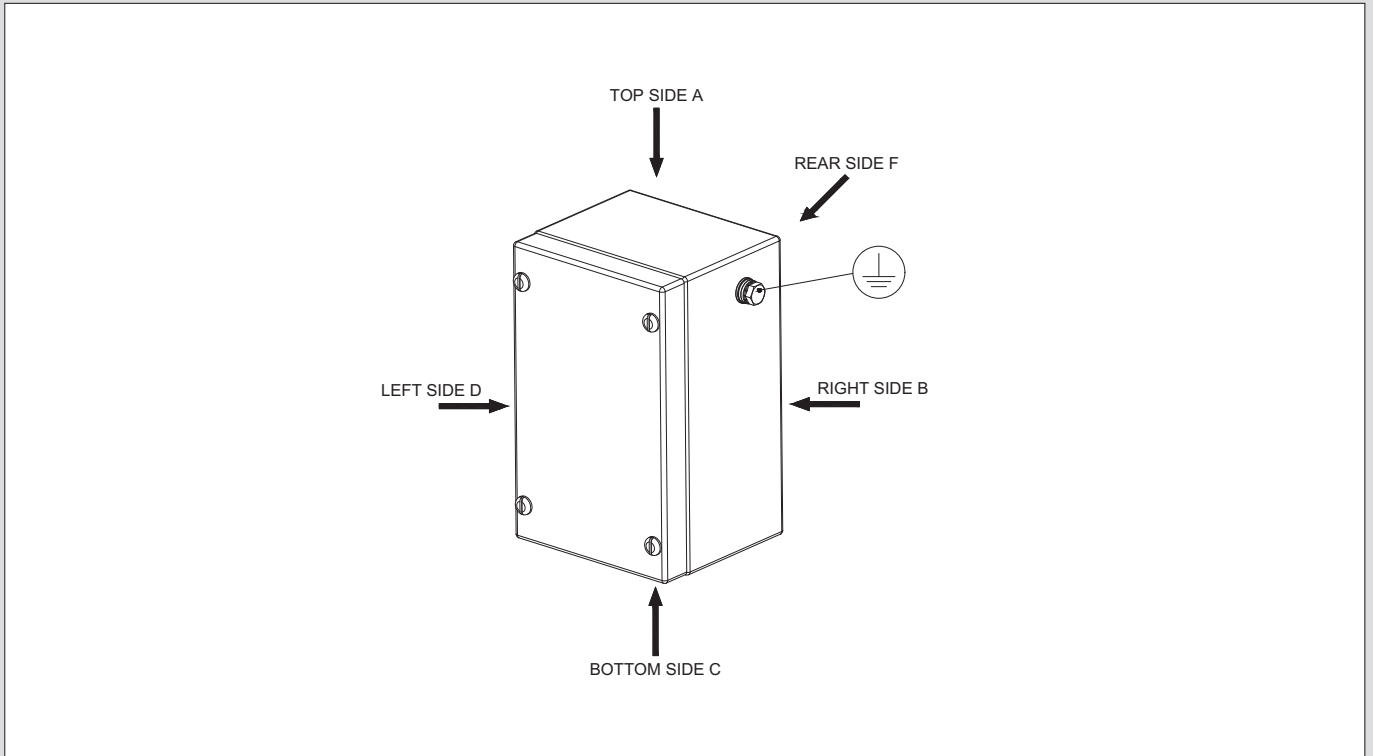
645.B - DRILLING DRAIN/BREATHER POSITION


Hole	Hole diameter			
	M12	M16	M20	M25
	∅ 12,2/ 12,4mm	∅ 16,4/ 16,8mm	∅ 20,5/ 21mm	∅ 25,5/ 26mm
X	15mm	16mm	16mm	20mm
Y	15mm	16mm	16mm	20mm

ZENITH-S Series

[Ex] ATEX-IECEX-EAC Ex II 2GD

645.B - CABLE ENTRIES



Enclosure size (W x H x D)	Top/Bottom sides A/C								Left/Right sides B/D								Rear side F				
	M12	M16	M20	M25	M32	M40	M50	M63	M12	M16	M20	M25	M32	M40	M50	M63	M16	M20	M25	M32	M40
90x90x75	6	3	2	2	1	-	-	-	6	3	2	2	1	-	-	-	2	2	2	-	-
100x100x90	8	4	3	2	1	1	-	-	8	4	3	2	1	1	-	-	2	2	2	-	-
100x160x90	8	4	3	2	1	1	-	-	12	9	5	3	2	2	-	-	2	2	2	-	-
100x220x90	8	4	3	2	1	1	-	-	16	10	7	5	4	3	-	-	3	3	3	3	-
150x160x120	20	12	8	6	3	2	1	1	20	12	8	6	3	2	1	1	3	3	3	3	1
150x220x120	20	12	8	6	3	2	1	1	30	18	11	8	5	3	2	2	3	3	3	3	1
150x280x120	20	12	8	6	3	2	1	1	40	24	14	10	6	4	3	2	3	3	3	3	1
200x220x120	26	15	10	8	5	3	2	2	30	18	11	8	5	3	2	2	3	3	3	3	1
200x280x120	26	15	10	8	5	3	2	2	40	24	14	10	6	4	3	2	3	3	3	3	1
250x280x120	34	21	12	10	5	3	3	2	40	24	14	10	6	4	3	2	3	3	3	3	1
250x340x150	45	28	18	14	8	5	3	2	60	40	24	20	10	7	4	3	3	3	3	3	1
300x340x150	50	34	21	17	10	6	4	3	60	40	24	20	10	7	4	3	3	3	3	3	1
300x400x150	50	34	21	17	10	6	4	3	60	46	27	21	12	8	5	4	3	3	3	3	1
400x400x150	60	46	27	21	12	8	5	4	60	46	27	21	12	8	5	4	3	3	3	3	1

LID SCREW ENCLOSURES - AISI 316L



W	H	D	AISI 316L ENCLOSURES
90	90	75	645.B6S01
	100	90	645.B6S02
100	160	90	645.B6S03
	220	90	645.B6S04
150	160	120	645.B6S05
	220	120	645.B6S06
	280	120	645.B6S07
200	220	120	645.B6S08
	280	120	645.B6S09
250	280	120	645.B6S10
	340	150	645.B6S11
300	340	150	645.B6S12
	400	150	645.B6S13
400	400	150	645.B6S14

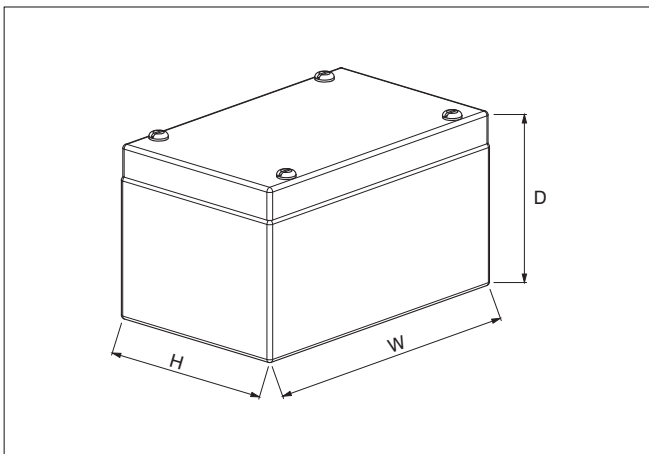
ACCESSORIES



GALVANIZED EARTH PLATE	AISI 316L EARTH PLATE	MOUNTING BRACKETS
-	-	
-	-	
645.B8P03	645.B6P03	
645.B8P04	645.B6P04	
645.B8P05	645.B6P05	
645.B8P06	645.B6P06	
645.B8P07	645.B6P07	
645.B8P08	645.B6P08	
645.B8P09	645.B6P09	
645.B8P10	645.B6P10	
645.B8P11	645.B6P11	
645.B8P12	645.B6P12	
645.B8P13	645.B6P13	
645.B8P14	645.B6P14	

645.B6F

DIMENSIONAL REFERENCES



ZENITH-S Series

 ATEX-IECEEx-EAC Ex II 2GD

LID SCREW ENCLOSURES - AISI 304L

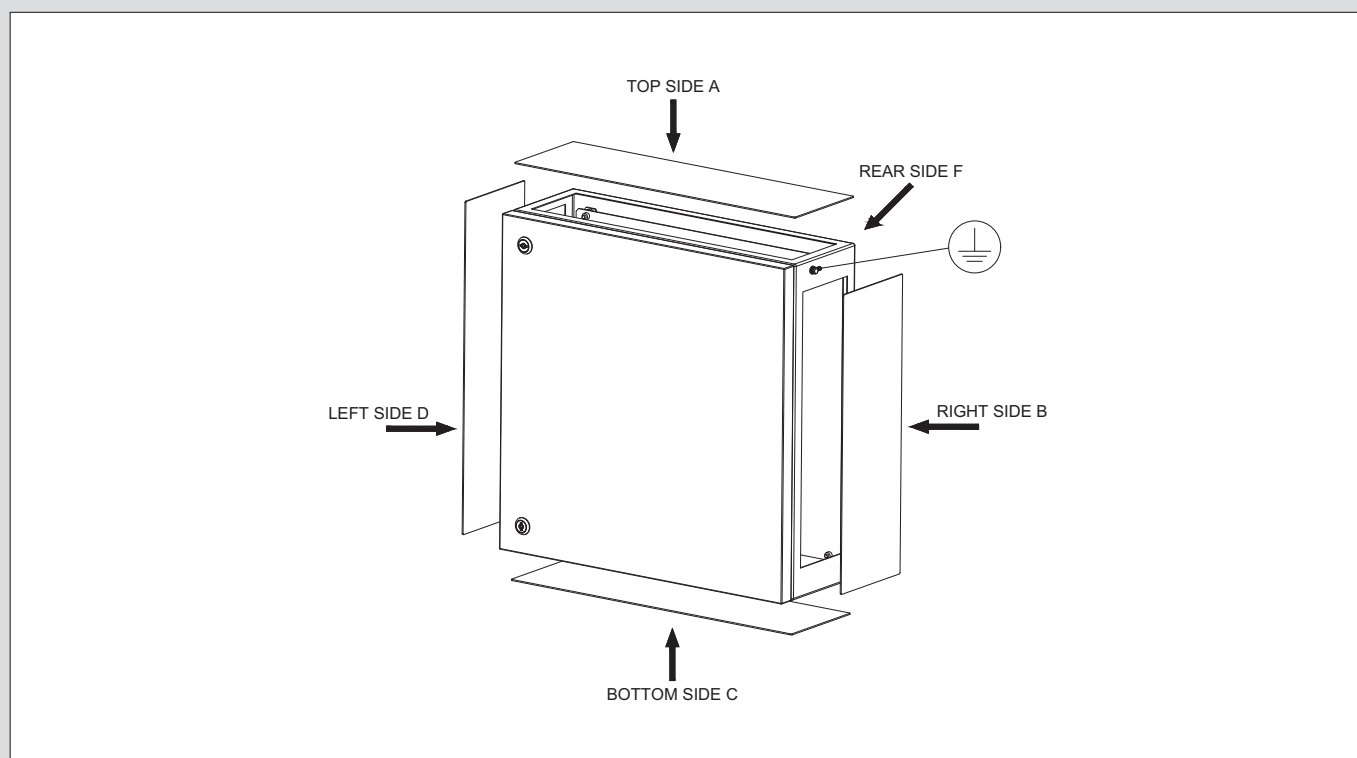


W	H	D	AISI 304L ENCLOSURES
90	90	75	645.B4S01
	100	90	645.B4S02
100	160	90	645.B4S03
	220	90	645.B4S04
150	160	120	645.B4S05
	220	120	645.B4S06
	280	120	645.B4S07
200	220	120	645.B4S08
	280	120	645.B4S09
250	280	120	645.B4S10
	340	150	645.B4S11
300	340	150	645.B4S12
	400	150	645.B4S13
400	400	150	645.B4S14

ACCESSORIES



GALVANIZED EARTH PLATE	AISI 304L EARTH PLATE	MOUNTING BRACKETS
-	-	
-	-	
645.B8P03	645.B4P03	
645.B8P04	645.B4P04	
645.B8P05	645.B4P05	
645.B8P06	645.B4P06	
645.B8P07	645.B4P07	
645.B8P08	645.B4P08	645.B4F
645.B8P09	645.B4P09	
645.B8P10	645.B4P10	
645.B8P11	645.B4P11	
645.B8P12	645.B4P12	
645.B8P13	645.B4P13	
645.B8P14	645.B4P14	

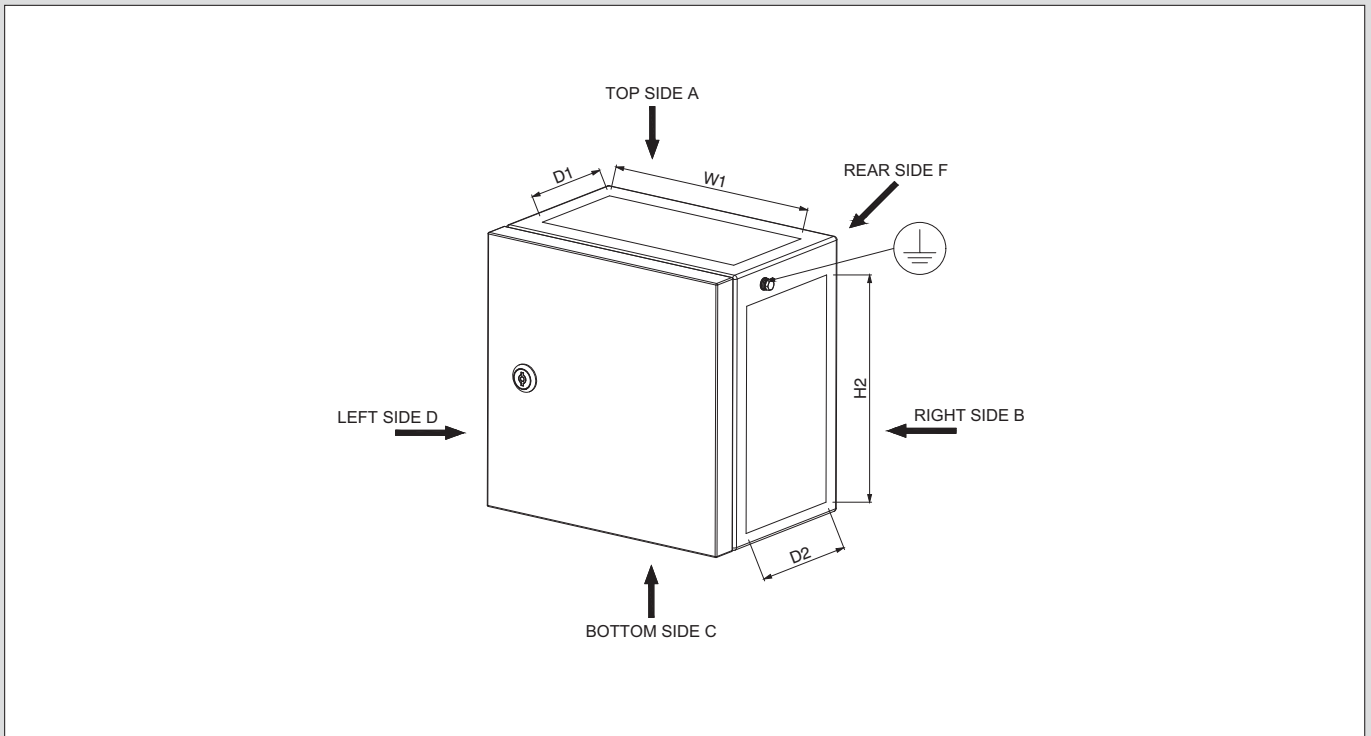
645.C - ENCLOSURES GLAND PLATES


Enclosure size (W x H x D)	Top/Bottom sides A/C Lid square	Screw numbers M5x12	Left side -D Lid square	Screw numbers M5x12	Right side -B Lid square	Screw numbers M5x12	Nm
260x260x150	210x70	6	210x70	6	150x70	6	2.5
300x300x210	250x130	8	250x130	8	190x130	8	2.5
300x380x210	250x130	8	330x130	8	270x130	8	2.5
300x450x210	250x130	8	400x130	10	340x130	10	2.5
380x300x210	330x130	8	250x130	8	190x130	8	2.5
380x380x210	330x130	8	330x130	8	270x130	8	2.5
380x600x210	330x130	8	550x130	12	490x130	12	2.5
400x500x210	350x130	10	450x130	10	390x130	10	2.5
450x300x210	400x130	10	250x130	8	190x130	8	2.5
450x450x210	400x130	10	400x130	10	340x130	10	2.5
450x450x250	400x170	10	400x170	10	340x170	10	2.5
450x600x210	400x130	10	550x130	12	490x130	12	2.5
450x600x250	400x170	10	550x170	12	490x170	12	2.5
500x700x250	450x170	10	650x170	12	590x170	12	2.5
600x380x210	550x130	12	330x130	8	270x130	8	2.5
600x450x250	550x170	12	400x170	10	340x170	10	2.5
600x600x210	550x130	12	550x130	12	490x130	12	2.5
600x600x250	550x170	12	550x170	12	490x170	12	2.5
600x600x300	550x220	12	550x220	12	490x220	12	2.5
600x750x210	550x130	12	700x130	14	640x130	14	2.5
600x750x250	550x170	12	700x170	14	640x170	14	2.5
600x750x300	550x220	12	700x220	14	640x220	14	2.5
600x900x300	550x220	12	850x220	16	790x220	16	2.5
750x1000x300	700x220	14	950x220	16	890x220	16	2.5
800x1200x300	750x220	14	1150x220	18	1090x220	18	2.5

ZENITH-S Series

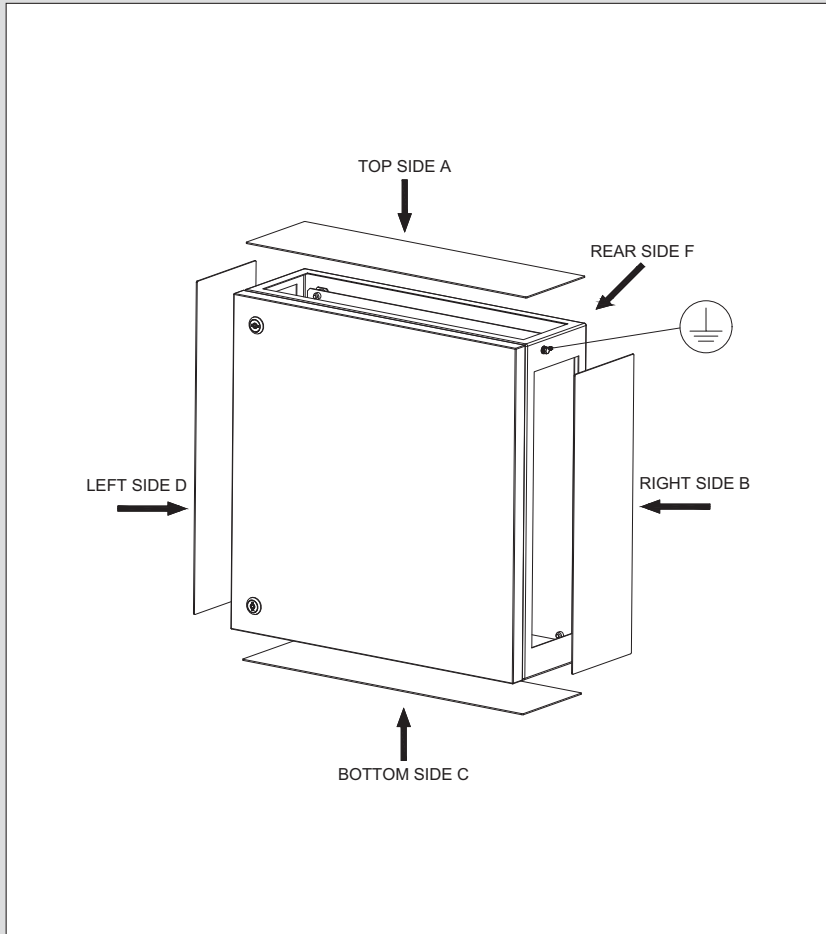


645.C - MAXIMUM CABLE ENTRIES ENCLOSURES WITHOUT GLAND PLATES



Enclosure size (W x H x D)	Top/Bottom sides A/C									Left/Right sides B/D									Rear side F				
	M12	M16	M20	M25	M32	M40	M50	M63	M75	M12	M16	M20	M25	M32	M40	M50	M63	M75	M16	M20	M25	M32	M40
260x260x150	42	25	21	11	8	4	3	2	2	42	25	21	11	8	4	3	2	2	3	3	3	3	3
300x300x210	66	45	28	22	11	8	6	4	2	66	45	28	22	11	8	6	4	2	3	3	3	3	3
300x380x210	66	45	28	22	11	8	6	4	2	84	55	36	28	16	11	8	5	3	3	3	3	3	3
300x450x210	66	45	28	22	11	8	6	4	2	100	65	44	30	20	14	10	6	4	3	3	3	3	3
380x300x210	84	55	36	28	16	11	8	5	3	66	45	28	22	11	8	6	4	2	3	3	3	3	3
380x380x210	84	55	36	28	16	11	8	5	3	84	55	36	28	16	11	8	5	3	3	3	3	3	3
380x600x210	84	55	36	28	16	11	8	5	3	120	75	60	38	27	17	14	8	5	3	3	3	3	3
400x500x210	90	58	36	28	17	11	8	5	3	102	70	44	34	21	14	10	6	4	3	3	3	3	3
450x300x210	100	65	44	30	20	14	10	6	4	66	45	28	22	11	8	6	4	2	3	3	3	3	3
450x450x210	100	65	44	30	20	14	10	6	4	100	65	44	30	20	14	10	6	4	3	3	3	3	3
450x450x250	120	78	55	36	22	18	11	8	4	120	78	55	36	22	18	11	8	4	3	3	3	3	3
450x600x210	100	65	44	30	20	14	10	6	4	120	75	60	38	27	17	14	8	5	3	3	3	3	3
450x600x250	120	78	55	36	22	18	11	8	4	130	90	70	48	30	24	16	10	5	3	3	3	3	3
500x700x250	120	84	60	40	26	18	12	8	4	150	102	80	52	30	27	17	11	5	3	3	3	3	3
600x380x210	120	75	60	38	27	17	14	8	5	84	55	36	28	16	11	8	5	3	3	3	3	3	3
600x450x250	130	90	70	48	30	24	16	10	5	120	78	55	36	22	18	11	8	4	3	3	3	3	3
600x600x210	120	75	60	38	27	17	14	8	5	120	75	60	38	27	17	14	8	5	3	3	3	3	3
600x600x250	130	90	70	48	30	24	16	10	5	130	90	70	48	30	24	16	10	5	3	3	3	3	3
600x600x300	150	110	82	55	36	25	18	12	6	150	110	82	55	36	25	18	12	6	3	3	3	3	3
600x750x210	120	75	60	38	27	17	14	8	5	150	100	68	42	28	20	16	9	6	4	4	4	4	4
600x750x250	130	90	70	48	30	24	16	10	5	150	120	85	56	35	27	17	14	6	4	4	4	4	4
600x750x300	150	110	82	55	36	25	18	12	6	150	126	96	65	44	33	24	15	6	4	4	4	4	4
600x900x300	150	110	82	55	36	25	18	12	6	150	150	120	80	54	40	27	18	7	4	4	4	4	4
750x1000x300	150	150	100	65	45	30	22	15	8	150	150	150	100	60	42	30	20	8	4	4	4	4	4
800x1200x300	150	150	110	70	50	35	25	17	10	150	150	150	120	70	50	35	22	10	4	4	4	4	4

645.C - MAXIMUM CABLE ENTRIES ENCLOSURES WITH GLAND PLATES



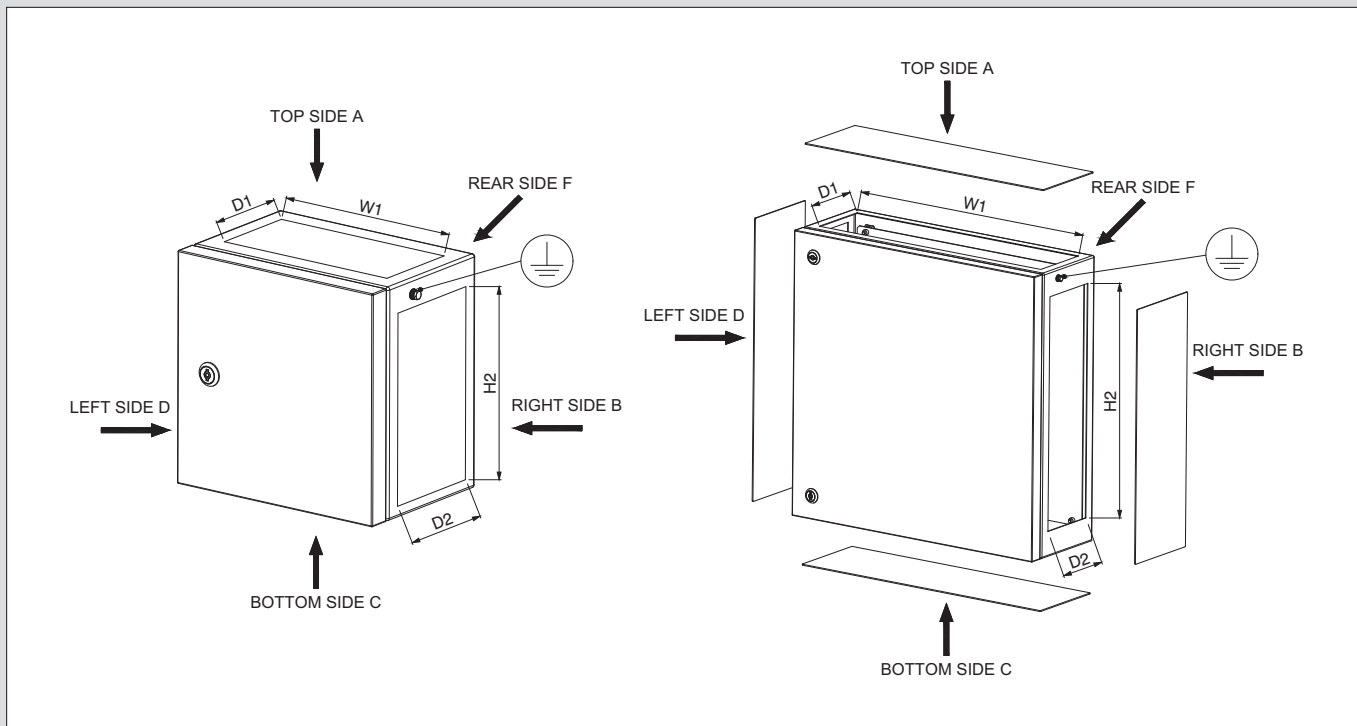
Enclosure size (W x H x D)	Rear side F				
	M16	M20	M25	M32	M40
260x260x150	3	3	3	3	3
300x300x210	3	3	3	3	3
300x380x210	3	3	3	3	3
300x450x210	3	3	3	3	3
380x300x210	3	3	3	3	3
380x380x210	3	3	3	3	3
380x600x210	3	3	3	3	3
400x500x210	3	3	3	3	3
450x300x210	3	3	3	3	3
450x450x210	3	3	3	3	3
450x450x250	3	3	3	3	3
450x600x210	3	3	3	3	3
450x600x250	3	3	3	3	3
500x700x250	3	3	3	3	3
600x380x210	3	3	3	3	3
600x450x250	3	3	3	3	3
600x600x210	3	3	3	3	3
600x600x250	3	3	3	3	3
600x600x300	3	3	3	3	3
600x750x210	4	4	4	4	4
600x750x250	4	4	4	4	4
600x750x300	4	4	4	4	4
600x900x300	4	4	4	4	4
750x1000x300	4	4	4	4	4
800x1200x300	4	4	4	4	4

Enclosure size (W x H x D)	Top/Bottom sides A/C									Left side - B								Right side - D									
	M12	M16	M20	M25	M32	M40	M50	M63	M75	M12	M16	M20	M25	M32	M40	M50	M63	M75	M12	M16	M20	M25	M32	M40	M50	M63	M75
260x260x150	27	14	12	5	3	3	/	/	/	18	11	8	4	2	2	/	/	/	27	14	12	5	3	3	/	/	/
300x300x210	50	28	18	15	8	6	3	2	2	50	28	18	15	8	6	3	2	2	35	24	15	11	6	4	3	2	1
300x380x210	50	28	18	15	8	6	3	2	2	65	40	24	20	10	8	5	3	3	50	32	21	15	8	6	4	3	2
300x450x210	50	28	18	15	8	6	3	2	2	80	48	30	22	14	10	6	4	3	65	40	24	19	12	8	5	4	3
380x300x210	65	40	24	20	10	8	5	3	3	50	28	18	15	8	6	3	2	2	35	24	15	11	6	4	3	2	1
380x380x210	65	40	24	20	10	8	5	3	3	65	40	24	20	10	8	5	3	3	50	32	21	15	8	6	4	3	2
380x600x210	65	40	24	20	10	8	5	3	3	110	68	42	32	18	14	8	6	5	95	60	36	29	16	12	8	5	4
400x500x210	65	40	24	19	12	9	5	3	3	90	56	33	26	14	12	6	5	4	80	48	30	22	12	10	5	4	3
450x300x210	80	48	30	22	14	10	6	4	3	50	28	18	15	8	6	3	2	2	35	24	15	11	6	4	3	2	1
450x450x210	80	48	30	22	14	10	6	4	3	80	48	30	22	14	10	6	4	3	65	40	24	19	12	8	5	4	3
450x450x250	96	60	40	28	18	12	10	6	3	96	60	40	28	18	12	8	6	3	78	50	32	23	15	9	8	5	3
450x600x210	80	48	30	22	14	10	6	4	3	110	68	42	32	18	14	8	6	5	95	60	36	29	16	12	8	5	4
450x600x250	96	60	40	28	18	12	10	6	3	126	80	52	38	26	17	12	8	5	108	70	48	33	23	15	12	7	5
500x700x250	102	65	44	30	21	14	10	6	4	150	100	64	52	31	20	14	9	6	138	90	56	48	28	18	14	8	6
600x380x210	110	68	42	32	18	14	8	6	5	65	40	24	20	10	8	5	3	3	50	32	21	15	8	6	4	3	2
600x450x250	126	80	52	38	26	17	12	8	5	96	60	40	28	18	12	8	6	3	78	50	32	23	15	9	8	5	3
600x600x210	110	68	42	32	18	14	8	6	5	110	68	42	32	18	14	8	6	5	95	60	36	29	16	12	8	5	4
600x600x250	126	80	52	38	26	17	12	8	5	126	80	52	38	26	17	12	8	5	108	70	48	33	23	15	12	7	5
600x600x300	150	103	65	48	30	24	17	11	8	150	103	65	48	30	24	17	11	8	150	90	60	40	28	21	15	9	8
600x750x210	110	68	42	32	18	14	8	6	5	145	84	51	42	24	19	10	7	6	130	80	48	38	22	17	10	7	5
600x750x250	126	80	52	38	26	17	12	8	5	150	105	68	58	34	21	16	10	7	150	100	64	52	31	20	14	9	6
600x750x300	150	103	65	48	30	24	17	11	8	150	126	85	63	38	30	21	14	10	150	116	80	56	35	27	19	12	10
600x900x300	150	103	65	48	30	24	17	11	8	150	150	105	77	45	36	26	17	12	150	150	95	70	43	33	24	15	12
750x1000x300	150	120	90	55	40	30	20	13	8	150	150	130	100	60	40	30	20	12	150	150	130	100	60	40	30	20	12
800x1200x300	150	120	110	65	45	35	25	15	10	150	150	150	120	70	50	35	22	12	150	150	150	120	70	50	35	22	12

ZENITH-S Series

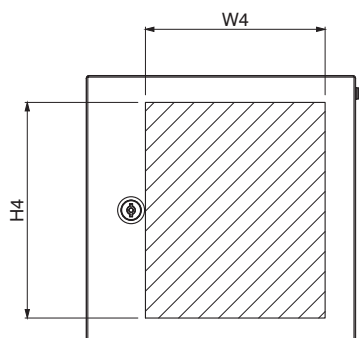
Ex ATEX-IECEx-EAC Ex II 2GD

645.C - BOX DRILLING AREA ENCLOSURES WITH AND WITHOUT GLAND PLATES



Enclosure size (W x H x D)	Top/Bottom without gland plates sides A/C W1 x D1	Left/Right without gland plates sides B/D H2 x D2	Top/Bottom with gland plates sides A/C W1 x D1	Left sides with gland plates D H2 x D2	Right sides with gland plates B H2 x D2
260x260x150	210x70	250x110	210x70	210x70	150x70
300x300x210	250x130	290x170	250x130	250x130	190x130
300x380x210	250x130	370x170	330x130	330x130	270x130
300x450x210	250x130	440x170	400x130	400x130	340x130
380x300x210	330x130	290x170	250x130	250x130	190x130
380x380x210	330x130	370x170	330x130	330x130	270x130
380x600x210	330x130	590x170	550x130	550x130	490x130
400x500x210	350x130	490x170	450x130	450x130	390x130
450x300x210	400x130	290x170	250x130	250x130	190x130
450x450x210	400x130	440x170	400x130	400x130	340x130
450x450x250	400x170	440x210	400x170	400x170	340x170
450x600x210	400x130	590x170	550x130	550x130	490x130
450x600x250	400x170	590x210	550x170	550x170	490x170
500x700x250	450x170	690x210	650x170	650x170	590x170
600x380x210	550x130	370x170	330x130	330x130	270x130
600x450x250	550x170	440x210	400x170	400x170	340x170
600x600x210	550x130	590x170	550x130	550x130	490x130
600x600x250	550x170	590x210	550x170	550x170	490x170
600x600x300	550x220	590x260	550x220	550x220	490x220
600x750x210	550x130	740x170	700x130	700x130	640x130
600x750x250	550x170	740x210	700x170	700x170	640x170
600x750x300	550x220	740x260	700x220	700x220	640x220
600x900x300	550x220	890x260	850x220	850x220	790x220
750x1000x300	700x220	990x260	950x220	950x220	890x220
800x1200x300	750x220	1190x260	1150x220	1150x220	1090x220

645.C - LID DRILLING AREA



Enclosure size (W x H x D)	Maximum drilling area G (W4 x H4)	Max no. of holes			
		Ø30,5mm	Ø22,5mm	Ø32,5mm	Ø30,8mm - Ø30,6mm with keyway
260x260x150	160x200	6	12	6	6
300x300x210	200x240	8	12	8	9
300x380x210	200x320	12	15	12	12
300x450x210	200x390	15	18	15	15
380x300x210	280x240	12	18	12	15
380x380x210	280x320	16	24	16	20
380x600x210	280x540	28	36	28	35
400x500x210	300x440	24	35	24	30
450x300x210	350x240	15	24	15	18
450x450x210	350x390	25	36	25	30
450x450x250	350x390	25	36	25	30
450x600x210	350x540	35	54	35	42
450x600x250	350x540	35	54	35	42
500x700x250	400x640	44	69	44	63
600x380x210	500x320	28	40	28	36
600x450x250	500x390	35	48	35	45
600x600x210	500x540	49	72	49	63
600x600x250	500x540	49	72	49	63
600x600x300	500x540	49	72	49	63
600x750x210	500x690	63	88	63	81
600x750x250	500x690	63	88	63	81
600x750x300	500x690	63	88	63	81
600x900x300	500x840	77	112	77	100
750x1000x300	650x940	100	150	100	100
800x1200x300	700x1140	120	180	120	120

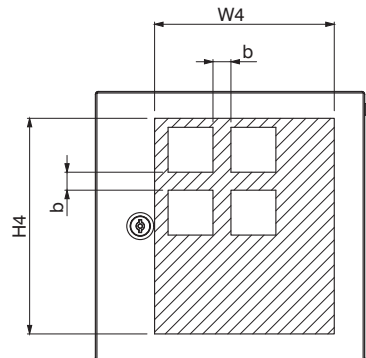
CLEARANCE AND CREEPAGE

Manufacturer Actuator/Control Components	Maximum Mounting Ø a - (mm)	Minimum distance between two holes b - (mm)	Minimum distance between two holes c - (mm)
SCHNEIDER-ELECTRIC	Ø22,5	35	35
EX-TECH	Ø22,5	35	35
CZ	Ø30,6 (with keyway)	20	40

ZENITH-S Series

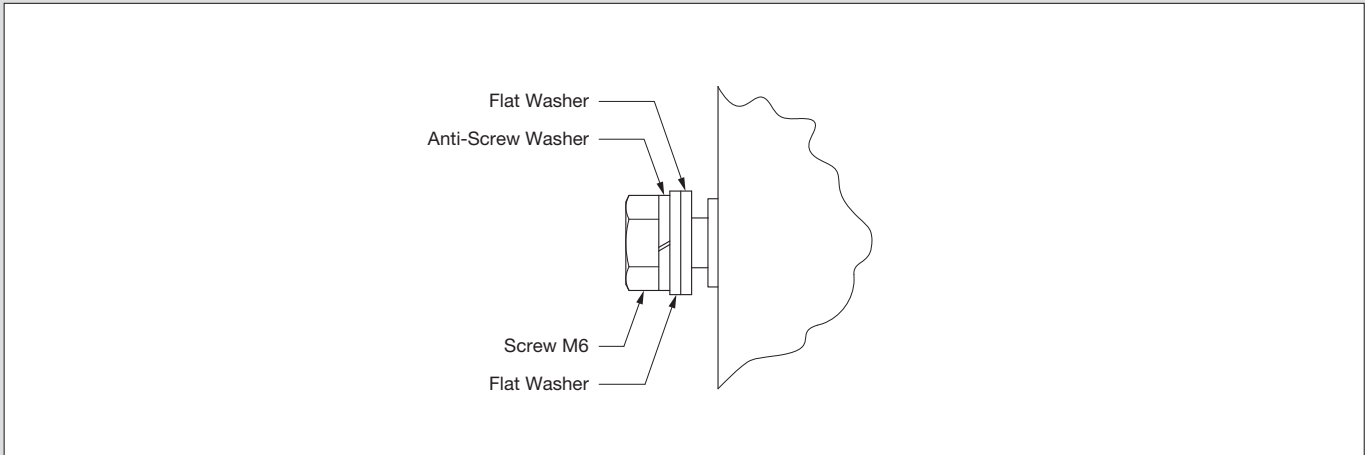
 ATEX-IECEx-EAC Ex
II 2GD

645.C - LID SQUARE DRILLING AREA

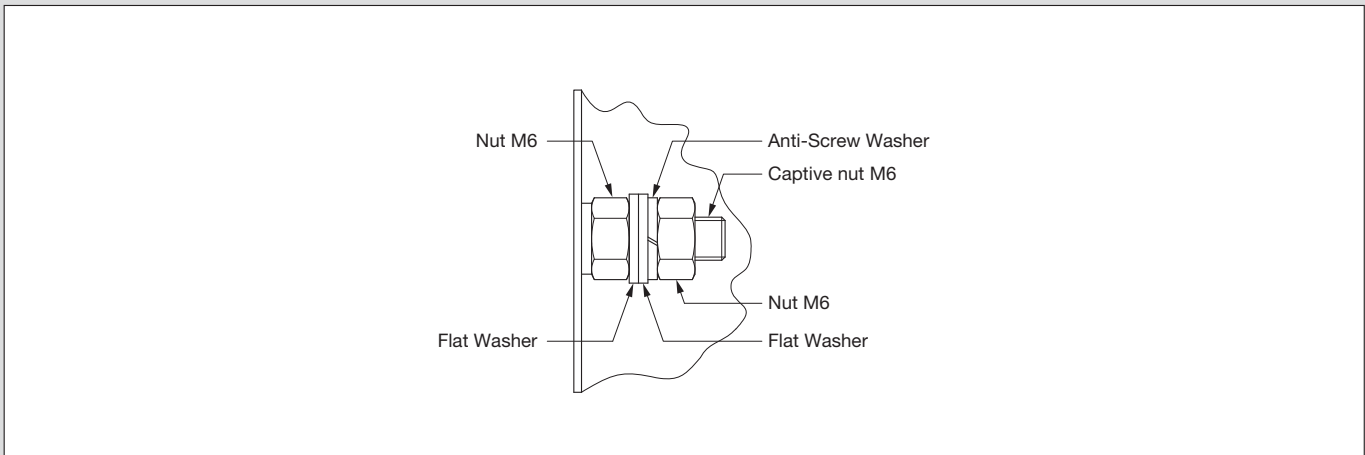


Enclosure size (W x H x D)	Maximum drilling area G (W4 x H4)	Lid square		
		Maximum number	Maximum Size	Minimum distance between two holes b - (mm)
260x260x150	160x200	1	118x95mm	60
300x300x210	200x240	1	118x95mm	60
300x380x210	200x320	2	118x95mm	60
300x450x210	200x390	2	118x95mm	60
380x300x210	280x240	1	118x95mm	60
		1	255x85mm	100
380x380x210	280x320	2	118x95mm	60
		2	255x85mm	100
380x600x210	280x540	3	118x95mm	60
		3	255x85mm	100
400x500x210	300x440	6	118x95mm	60
		2	255x85mm	100
450x300x210	350x240	2	118x95mm	60
		1	255x85mm	100
450x450x210	350x390	4	118x95mm	60
		2	255x85mm	100
450x450x250	350x390	4	118x95mm	60
		2	255x85mm	100
450x600x210	350x540	6	118x95mm	60
		3	255x85mm	100
450x600x250	350x540	6	118x95mm	60
		3	255x85mm	100
500x700x250	400x640	6	118x95mm	60
		3	255x85mm	100
600x380x210	500x320	6	118x95mm	60
		2	255x85mm	100
600x450x250	500x390	6	118x95mm	60
		2	255x85mm	100
600x600x210	500x540	9	118x95mm	60
		3	255x85mm	100
600x600x250	500x540	9	118x95mm	60
		3	255x85mm	100
600x600x300	500x540	9	118x95mm	60
		3	255x85mm	100
600x750x210	500x690	12	118x95mm	60
		4	255x85mm	100
600x750x250	500x690	12	118x95mm	60
		4	255x85mm	100
600x750x300	500x690	12	118x95mm	60
		4	255x85mm	100
600x900x300	500x840	15	118x95mm	60
		4	255x85mm	100
750x1000x300	650x940	15	118x95mm	60
		5	255x85mm	100
800x1200x300	700x1140	18	118x95mm	60
		6	255x85mm	100

■ **EXTERNAL GROUNDING SYSTEM CONNECTION POINTS**



■ **INTERNAL GROUNDING SYSTEM CONNECTION POINTS**



ZENITH-S Series



HINGED LID ENCLOSURES - AISI 316L



W	H	D	AISI 316L ENCLOSURES
260	260	150	645.C6S00 0
	300	210	645.C6S01 0
300	380	210	645.C6S02 0
	450	210	645.C6S03 0
380	300	210	645.C6S04 0
	380	210	645.C6S05 0
	600	210	645.C6S06 0
400	500	210	645.C6S07 0
	300	210	645.C6S08 0
	450	210	645.C6S09 0
450	450	250	645.C6S10 0
	600	210	645.C6S11 0
	600	250	645.C6S12 0
500	700	250	645.C6S13 0
	380	210	645.C6S14 0
	450	250	645.C6S15 0
	600	210	645.C6S16 0
	600	250	645.C6S17 0
600	600	300	645.C6S18 0
	750	210	645.C6S19 0
	750	250	645.C6S20 0
	750	300	645.C6S21 0
750	900	300	645.C6S22 0
	1000	300	645.C6S23 0
800	1200	300	645.C6S24 0

- Standard versions supplied without flange.

- 0 without flange
- 1 1 gland plate bottom
- 2 2 gland plates top/bottom
- 3 3 gland plates bottom/left/right
- 4 4 gland plates top/bottom/left/right

- Standard versions supplied with Yale key.

- For version with lock in AISI 316L add Y at the end of the code: 645.C6S000Y

- For version with lock in Zamak add Z at the end of the code: 645.C6S000Z

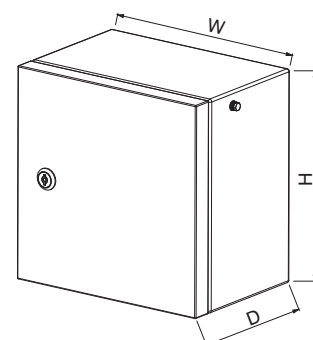
- (*) 645.C6FL only for enclosures with lid and flanges.

ACCESSORIES



GALVANIZED EARTH PLATE	AISI 316L EARTH PLATE	MOUNTING BRACKETS
645.C8P00	645.C6P00	
645.C8P01	645.C6P01	
645.C8P02	645.C6P02	
645.C8P03	645.C6P03	
645.C8P02	645.C6P02	
645.C8P05	645.C6P05	
645.C8P06	645.C6P06	
645.C8P07	645.C6P07	
645.C8P03	645.C6P03	
645.C8P09	645.C6P09	
645.C8P09	645.C6P09	
645.C8P11	645.C6P11	
645.C8P11	645.C6P11	645.C6F(*)
645.C8P13	645.C6P13	
645.C8P06	645.C6P06	
645.C8P11	645.C6P11	
645.C8P16	645.C6P16	
645.C8P16	645.C6P16	
645.C8P16	645.C6P16	
645.C8P19	645.C6P19	
645.C8P19	645.C6P19	
645.C8P19	645.C6P19	
645.C8P22	645.C6P22	
645.C8P23	645.C6P23	
645.C8P24	645.C6P24	

DIMENSIONAL REFERENCES



HINGED LID ENCLOSURES - AISI 304L


W	H	D	AISI 304L ENCLOSURES
260	260	150	645.C4S00 0
	300	210	645.C4S01 0
300	380	210	645.C4S02 0
	450	210	645.C4S03 0
380	300	210	645.C4S04 0
	380	210	645.C4S05 0
	600	210	645.C4S06 0
400	500	210	645.C4S07 0
	300	210	645.C4S08 0
	450	210	645.C4S09 0
450	450	250	645.C4S10 0
	600	210	645.C4S11 0
	600	250	645.C4S12 0
	700	250	645.C4S13 0
500	380	210	645.C4S14 0
	450	250	645.C4S15 0
	600	210	645.C4S16 0
	600	250	645.C4S17 0
	600	300	645.C4S18 0
	750	210	645.C4S19 0
	750	250	645.C4S20 0
600	750	300	645.C4S21 0
	900	300	645.C4S22 0
	1000	300	645.C4S23 0
750	1000	300	645.C4S23 0
800	1200	300	645.C4S24 0

- Standard versions supplied without flange.

- 0** without flange
- 1** 1 gland plate bottom
- 2** 2 gland plates top/bottom
- 3** 3 gland plates bottom/left/right
- 4** 4 gland plates top/bottom/left/right

ACCESSORIES


EARTH CONTINUITY PLATE	AISI 304L EARTH PLATE	MOUNTING BRACKETS
645.C8P00	645.C4P00	
645.C8P01	645.C4P01	
645.C8P02	645.C4P02	
645.C8P03	645.C4P03	
645.C8P05	645.C4P05	
645.C8P06	645.C4P06	
645.C8P07	645.C4P07	
645.C8P03	645.C4P03	
645.C8P09	645.C4P09	
645.C8P09	645.C4P09	
645.C8P11	645.C4P11	
645.C8P11	645.C4P11	645.C4F(*)
645.C8P13	645.C4P13	
645.C8P06	645.C4P06	
645.C8P11	645.C4P11	
645.C8P16	645.C4P16	
645.C8P16	645.C4P16	
645.C8P16	645.C4P16	
645.C8P19	645.C4P19	
645.C8P19	645.C4P19	
645.C8P19	645.C4P19	
645.C8P22	645.C4P22	
645.C8P23	645.C4P23	
645.C8P24	645.C4P24	

- Standard versions supplied with Yale key.

- For version with lock in Zamak add Z at the end of the code: 645.C4S000Z

- (*) 645.C4FL only for enclosures with lid and flanges.

ZENITH-S Series

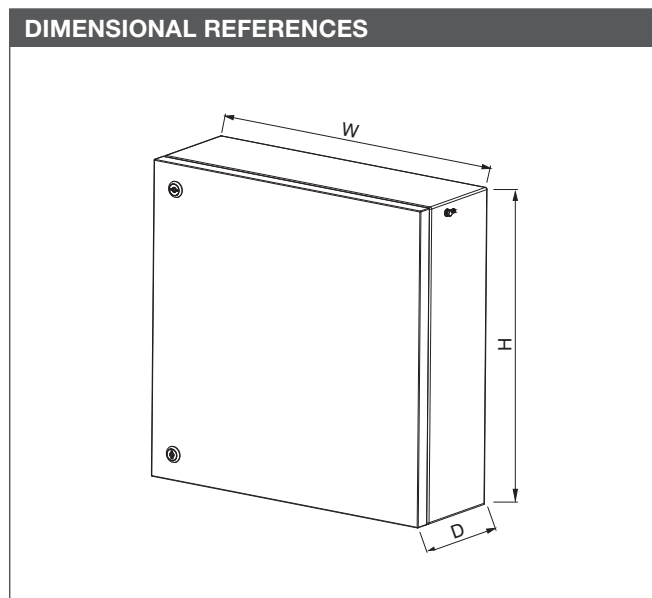


HINGED LID ENCLOSURES - AISI 316L



W	H	D	Key Lock	Mounting brackets	Hinges	Body thickness	WITHOUT GLAND PLATE	1 GLAND PLATE BOTTOM
260	260	150	1	4	2	1,2 mm	645.D6S000	645.D6S001
	300	210	1	4	2	1,2 mm	645.D6S010	645.D6S011
300	380	210	2	4	2	1,2 mm	645.D6S020	645.D6S021
	450	210	2	4	2	1,2 mm	645.D6S030	645.D6S031
380	380	210	2	4	2	1,2 mm	645.D6S050	645.D6S051
400	500	210	2	4	2	1,2 mm	645.D6S070	645.D6S071
450	450	210	2	4	2	1,2 mm	645.D6S090	645.D6S091
	600	210	2	4	3	1,2 mm	645.D6S110	645.D6S111
600	380	210	2	4	3	1,2 mm	645.D6S140	645.D6S141
	600	210	2	4	3	1,2 mm	645.D6S160	645.D6S161
	750	210	2	4	3	1,5 mm	645.D6S190	645.D6S191
	900	300	2	6	3	1,5 mm	645.D6S220	645.D6S221
750	1000	300	2	6	3	1,5 mm	645.D6S230	645.D6S231
800	1200	300	2	6	3	1,5 mm	645.D6S240	645.D6S241

- For version with lock in AISI 316L add Y at the end of the code: 645.D6S000Y.
- For version with lock in Zamak add Z at the end of the code: 645.D6S000Z.
- The mounting brackets are welded.





2 GLAND PLATES TOP/ BOTTOM	3 GLAND PLATES BOTTOM/LEFT/RIGHT	3 GLAND PLATES TOP/BOTTOM/LEFT/RIGHT
645.D6S002	645.D6S003	645.D6S004
645.D6S012	645.D6S013	645.D6S014
645.D6S022	645.D6S023	645.D6S024
645.D6S032	645.D6S033	645.D6S034
645.D6S052	645.D6S053	645.D6S054
645.D6S072	645.D6S073	645.D6S074
645.D6S092	645.D6S093	645.D6S094
645.D6S112	645.D6S113	645.D6S114
645.D6S142	645.D6S143	645.D6S144
645.D6S162	645.D6S163	645.D6S164
645.D6S192	645.D6S193	645.D6S194
645.D6S222	645.D6S223	645.D6S224
645.D6S232	645.D6S233	645.D6S234
645.D6S242	645.D6S243	645.D6S244

ACCESSORIES


GALVANIZED EARTH PLATE	AISI 316L EARTH PLATE
645.C8P00	645.C6P00
645.C8P01	645.C6P01
645.C8P02	645.C6P02
645.C8P03	645.C6P03
645.C8P05	645.C6P05
645.C8P07	645.C6P07
645.C8P09	645.C6P09
645.C8P11	645.C6P11
645.C8P06	645.C6P06
645.C8P16	645.C6P16
645.C8P19	645.C6P19
645.C8P22	645.C6P22
645.C8P23	645.C6P23
645.C8P24	645.C6P24