

Auxiliary control equipments >> Push buttons

TOP22 Series

590.



Description	Version	Colour	Push buttons - Flush button
PUSH BUTTON	FLUSH		590.PPRN5 1/10
			590.PPRN8 1/10
			590.PPRN1 1/10
			590.PPRN2 1/10

- Fixing by metal ring nut-hole diameter 22mm.
- Clamping of the baseplate to the equipment by swing lever.
- Provided with contact carrier base plate.

TOP22 Series

590.



Description	Version	Colour	Push buttons - Protruding button
PUSH BUTTON	PROTRUDING		590.PPSN8 1/10
			590.PPSN1 1/10

1.5



Switchgears

TOP22 Series

■ Auxiliary control equipments >> Push buttons

TOP22 Series

590.



Push buttons - Illuminated flush button

Description	Version	Colour		
PUSH BUTTON	ILLUMINATED FLUSH		590.PPRL5	1/10
			590.PPRL2	1/10

- Fixing by metal ring nut-hole diameter 22mm.
- Clamping of the baseplate to the equipment by swing lever.
- Provided with contact carrier base plate.

TOP22 Series

590.



Mushroom-head emergency push buttons

Description	Version	Colour	Ø		
EMERGENCY PUSH BUTTON	RELEASE BY ROTATION		ø40mm	590.PPFN1R4N	1/10
			ø60mm	590.PPFN1R6N	1/10
	RELEASE BY KEY		ø40mm	590.PPFN1C4N	1/10
	WITHOUT LOCKING			590.PPFN1M4N	1/10

- According to EN60418

■ Auxiliary control equipments >> Selectors

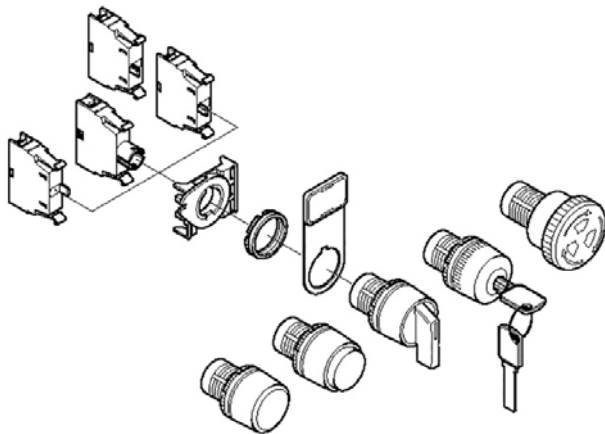
TOP22 Series

590.



Description	Version	Colour	Selectors - Key selectors	Selectors - Lever selectors
LEVER SELECTOR	2 PULSE POSITIONS	■		590.PSLN8D2 1/10
	2 STEADY POSITIONS			590.PSLN8D0 1/10
	3 PULSE POSITIONS			590.PSLN8T3 1/10
	3 STEADY POSITIONS			590.PSLN8T0 1/10
KEY SELECTOR	2 STEADY POSITIONS		590.PSCR8DOC ^[1] 10	
	3 STEADY POSITIONS		590.PSCR8TOC ^[1] 10	

[1] Key drawing when on "zero" position



Switchgears

TOP22 Series

Auxiliary control equipments

TOP22 Series

590.



Enbloc pilot lamps (LED 220V)

Description	Colour	Ø	Notes		
PILOT LAMP		ø22mm	LED	590.PLML5L220	10
				590.PLML4L220	10
				590.PLML1L220	10
				590.PLML2L220	10
				590.PLML3L220	10

TOP22 Series

590.



Contact blocks

Description	Colour	Switch size		
LAMPHOLDER			590.PL004007 ^[3]	10/60
NC CONTACT		Y1	590.PL004001 ^[1]	10/60
NO CONTACT			590.PL004002 ^[2]	10/60


[1] NC=Normally closed


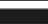
[2] NO=Normally open


[3] Maximum direct power supply 250V with max 2W bulbs.

- Snap catch

■ Auxiliary control equipments

		TOP22 Series 590.	
			
Description		Accessories	
PIN WRENCH		590.PCF	10

		TOP22 Series 590.	
			
Description	Colour	Accessories	
LEGEND PLATE		590.PPTN8	10/100

		TOP22 Series 590.	
			
Description		Accessories	
NEUTRAL LABEL		590.PTA00	10/100

1.5



Switchgears

TOP22 Series

Auxiliary control equipments

TOP22 Series

590.



Description	Colour	Notes	Accessories
EMERGENCY MARKER		ENG	590.PTE/A 10/100
		ITA	590.PTE/I 10/100

TOP22 Series

590.



Description	Colour	Ø	Accessories
CAP		Ø22mm	590.PTRN8 10/100

ENCLOSURES ACCESSORIES

654.



Description	Flange	Suitable for	Colour	IP	Blank plates
CUT-OUT PLATE	70x87mm	1 x TOP22		IP66	654.0101Y 25
		2 x TOP22			654.0101 25
					654.0102 25

- With gasket
- For components TOP22 Series.

Control stations

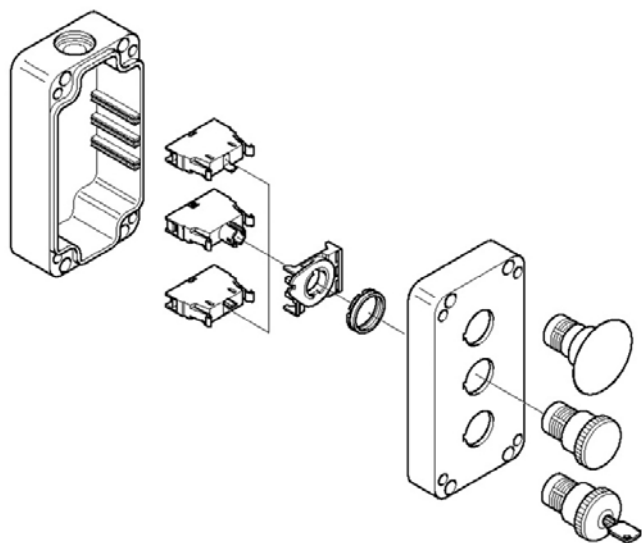
TOP22 Series

590.



Description	IP	Colour	No. of places	Enclosures
ENCLOSURE	IP65		1 MOD.	590.PR01K 1/12
			2 MOD.	590.PR02K 1/10
			3 MOD.	590.PR03K 1/10
			4 MOD.	590.PR04K
			6 MOD.	590.PR06K

- Empty enclosures for auxiliary control equipment.



1.5

Control stations

TOP22 Series

590.



Complete push-button panel

COMPLETE PUSH BUTTON PANEL

IP65

No. of places		
1 MOD.	590.PR01RN8	1/12
2 MOD.	590.PR02A	1/10
3 MOD.	590.PR03A	1/10

- Enclosures complete with control and indicator lamp.

TOP22 Series

590.



Push-button panel [Ø60-90mm]

COMPLETE PUSH BUTTON PANEL

EMERGENCY PUSH BUTTON

IP65

RELEASE BY ROTATION

UNSTABLE

No. of places	Ø		
1 MOD.	ø60mm	590.PR01R6N ^{[1][2]}	12
	ø90mm	590.PG8M9W10 ^{[4][5]}	12
		590.PG1M9W01 ^{[1][2][3]}	12

[1] Supplied with 1 NC contact block.

[2] Mushroom push-buttons for emergency stop

[3] Spring terminals

[4] Enclosures complete with control and indicator lamp.

[5] Supplied with 1 NO contact block.

Control stations

TOP22 Series

590.



Emergency push-button panel

EMERGENCY PUSH BUTTON

IP65

No. of places	Notes	RELEASE BY KEY		RELEASE BY ROTATION	
1 MOD.	VISUAL SIGNAL	590.PR01C4N	1/12	590.PR01R4N	1/12
				590.PR01R4S	1/12

- Supplied with 1 NC contact block.
- Mushroom push-buttons for emergency stop

