







ADVANCE 2 Series Interlocked switch socket outlets


No. REFERENCE SERIES	
560	564
561	567
562	568
563	569



VERSIONS			
	Without fuse carrier		With DIN rail (6 modules)
	With fuse carrier		With DIN rail (6 modules) - HD
	With fuse carrier - HD		

REFERENCE STANDARDS	
Standards:	EN 60309-1 (1999) EN 60309-2 (1999)

MARKING	
Marking:	CE Marking 

QUALITY MARKS	
	

TECHNICAL CHARACTERISTICS	
Rated current:	16A-32A-63A
Rated voltage:	100÷690V~
Frequency:	c.c. - 50÷690Hz
Insulating voltage:	500/690V~
Protection degree:	IP44-IP67
Operating temperature according to the reference standard:	-25°C+40°C
Max operating temperature:	60°C
Glow Wire test:	650°C/850°C
Material:	Engineering plastic
IK degree at 20°C:	IK07
Cabler inlet:	METRIC
Fuse-carriers:	gG 10,3x38mm (16-32A) Neozed type D02 (63A)
Colour:	Standard socket Grey RAL 7035 front side and smoke-grey plate Heavy Duty socket Blue RAL 5015 front side and dark grey RAL 7004 body

CABLING OPERATIONS			
Cabling capacity of the terminals (mm ²)			
Rated voltage	Rated current (A)	Socket outlets	
		Min	Max
Over 50V	16A	1,5	4
	32A	2,5	10
	63A	6	25
50V or less	16A	4	10
	32A	4	10

ADVANCE 2 Series Interlocked switch socket outlets



No. REFERENCE SERIES	
560	564
561	567
562	568
563	569

BEHAVIOUR WITH CHEMICAL AND ATMOSPHERIC AGENTS (Standard socket)										
Saline solution	Acids		Bases		Solvents				Mineral oil	UV rays
	Concentrated	Diluted	Concentrated	Diluted	Hexane	Benzol	Acetone	Alcohol		
RESISTANT	LIMITED RESISTANCE	RESISTANT	LIMITED RESISTANCE	RESISTANT	NOT RESISTANT	NOT RESISTANT	NOT RESISTANT	LIMITED RESISTANCE	RESISTANT	RESISTANT

BEHAVIOUR WITH CHEMICAL AND ATMOSPHERIC AGENTS (HD socket)										
Saline solution	Acids		Bases		Solvents				Mineral oil	UV rays
	Concentrated	Diluted	Concentrated	Diluted	Hexane	Benzol	Acetone	Alcohol		
RESISTANT	LIMITED RESISTANCE	RESISTANT	LIMITED RESISTANCE	RESISTANT	RESISTANT	LIMITED RESISTANCE	NOT RESISTANT	RESISTANT	RESISTANT	RESISTANT

TECHNICAL DATA ROTARY SWITCHES										
					With fuse		Without fuse			
					16A	32A	16A	32A	63A	
Rated insulation voltage U_i					Vac	690	690	690	690	690
Rated impulse withstand voltage U_{imp}					Vdc	400	400	400	400	-
Thermal current I_{th}					kV	4	4	4	4	8
Thermal current I_{the}					A	25	32	30	40	63
Nominal current rating I_e	AC21A	Resistive loads, including moderate overloads	400V	A	-	-	-	-	-	-
			500V	A	-	-	-	-	-	-
			690V	A	25	32	30	32	63	
	AC22A	Mixed resistive and inductive loads, including moderate overloads	400V	A	-	-	-	-	-	-
			500V	A	-	-	-	-	-	
			690V	A	30	32	20	32	63	
	AC23A	Switching off motor loads or other highly inductive loads (3 phase/3 pole)	400V	A	-	-	-	-	-	50
			500V	A	-	-	-	-	-	40
			690V	A	16	25	16	25	30	
	AC3	Squirrel-cage motor: starting, switching off motor during running (3 phase/3 pole)	400V	A	-	28,5	-	28,5	40	
			690V	A	12	20	12	20	25	
	DC21A	Resistive loads, including Moderate overloads	300V	A	25	32	25	32	-	
250V			A	20	32	20	32	-		
Short-circuit protection:	Rated short-time withstand current I_{cw} (s)		A	400	400	400	400	1500		
	Conditional short-circuit current		kA	10	10	10	10	10		
	Associate fuse size for conditional short-circuit current – Type gG		500V	A	16	32	16	32	63	
	Rated short-circuit making capacity I_{cm}		A	1500	1500	1500	1500	2850		
Permissible wire gauge:	Flexible wire	mm ²		1.5-10	1.5-10	1.5-10	1.5-10	10-35		
		AWG		16-8	16-8	16-8	16-8	8-2		
	Rigid wire	mm ²		1.5-16	1.5-16	1.5-16	1.5-16	10-35		
		AWG		16-6	16-6	16-6	16-6	8-2		



SWITCHED SOCKET OUTLETS WITH INTERLOCK



The picture shows:
 - Heavy Duty socket (RAL 5015 blue front side and dark grey RAL 7004 body).
 - Standard socket (grey RAL 7035 front side and smoke-grey plate).

GENERAL DESCRIPTION

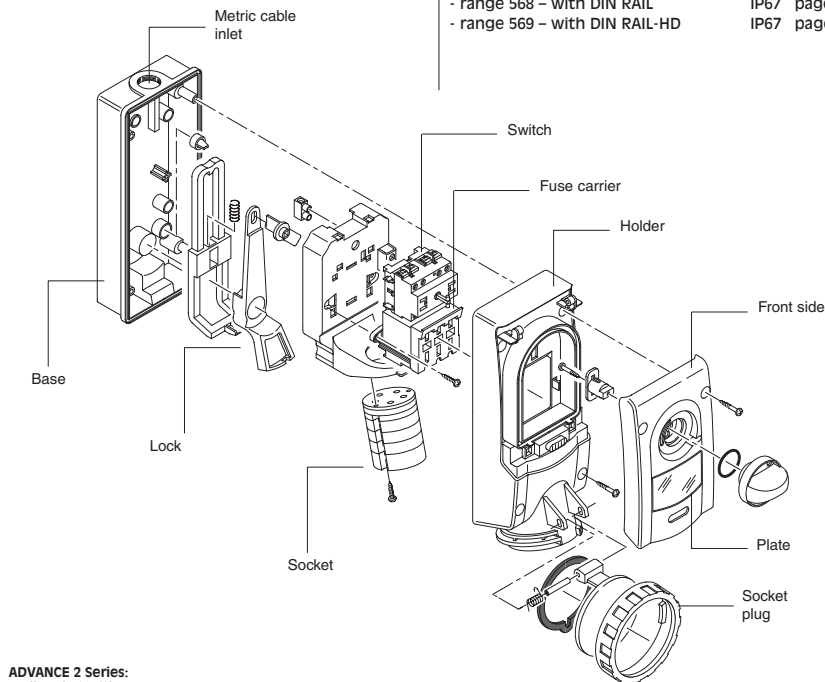
SCAME, ADVANCE 2 Series, interlocked socket outlets have smooth and well-connected surfaces, with no sharp edge or lines, included the hand grip, which ensure top safety and ergonomic use as well as easy cleaning, being installed in environments that particularly need such requirement.

A vertical convex strip symmetrically runs along the front side, gathering the handgrip control, which can be also provided with lock, the transparent opening for the monitoring of switches or protective fuses that connect down with the socket, following the round profile of the cover and being a sort of functional axis of the product.

The small window has been installed by overprinting. It allows maintaining the IP67 degree of protection without using any gasket or shutter, with perfectly smooth surfaces.

PERFORMANCES

- range 560 – without fuse carrier IP44 page 304
- range 561 – without fuse carrier IP67 page 305
- range 562 – with fuse carrier IP44 page 306
- range 563 – with fuse carrier IP67 page 307
- range 564 – with fuse carrier-HD IP67 page 307
- range 565 – very low voltage page 311
- range 566 – very low HD voltage page 311
- range 567 - with DIN RAIL IP44 page 308
- range 568 – with DIN RAIL IP67 page 309
- range 569 – with DIN RAIL-HD IP67 page 309



ADVANCE 2 Series:
 Wall socket with mechanical lock.

TECHNICAL CHARACTERISTICS

- Protection degree: IP44 – IP67
- Threaded cable inlet with possible in-out device on the bottom.
- Complete interchangeability with the installed product.
- Grip can be locked.
- Screwless plate.
- Plate with overprinted window.
- Seals made by co-printing and skimming.
- Use of socket plugs with rubber gaskets.
- Reduced number of versions in two dimensions only.
- A complete range of products for custom build planning and installing solutions.
- Up to 6 modules that can be installed in the versions with DIN slide.
- Improved mechanical interlocking system.
- Very few elements to be assembled for easy and quick installing and maintaining operations.
- Provided with ground clamp firmly anchored to the base.
- Ample room for cabling.
- Fuses: gG 10,3x38 mm (16-32A) Neozed type D02 (63A)

METRIC CABLE INLET

- Compact version 16A & 32A
 - 1 M25 threaded on upper side
 - 2 marks for M20 on lower side
 - 1 back mark
 - Provided with cable gland M25
- Large version 16A & 32A
 - 1 M25 threaded on upper side
 - 2 marks for M20 on lower side
 - 1 back mark
 - Provided with cable gland M25
- 63A large version
 - 1 M40 threaded on upper side
 - 2 marks for M32 on lower side
 - 1 back mark
 - Provided with cable gland M40

NOTE: features referring to Heavy Duty products are shown on page 296-297



WITHOUT FUSE HOLDER

SWITCHED SOCKET OUTLETS WITH INTERLOCK

Surface mounting - Rated operating voltage >50 V

Reference standards: IEC 60309-1 and IEC 60309-2

- Dimensions: pages 314-315
- Approvals: from page 587
- Systems: ADVANCE 2 (from page 298)
- Switches: page 325

Format:
Cable Gland:
Pack qty.:

Poles	Hz.	Volt	Colour	h.
2P+E	50/60	100-130	Yellow	4
	50/60	200-250	Blue	6
	50/60	380-415	Red	9
	60	277	Grey	5
	50/60	480-500	Grey	7
	50/60	is. transf.	Grey	12
	>300-500	>50	Green	2
	c.c.	>50-250	Grey	3
	c.c.	>250	Grey	8
3P+E	50/60	100-130	Yellow	4
	50/60	200-250	Blue	9
	50/60	380-415	Red	6
	60	440-460	Red	11
	50/60	480-500	Grey	7
	50/60	600-690	Black	5
	50/60	is. transf.	Grey	12
	50/60	380/440	Red	3
	100-300	>50	Green	10
	>300-500	>50	Green	2
	3P+N+E	50/60	100-130	Yellow
50/60		208-250	Blue	9
50/60		346-415	Red	6
50/60		480-500	Grey	7
50/60		600-690	Black	5
60		440-460	Red	11
50/60		380/440	Red	3
>300-500		>50	Green	2

IP44

16A compact M25 1/12	32A compact M25 1/12
560.1670	560.3270
560.1683	560.3283
560.1678	560.3278
560.16837	560.32837
560.16836	560.32836
560.16833	560.32833
560.16832	560.32832
560.16834	560.32834
560.16838	560.32838
560.1672	560.3272
560.1674	560.3274
560.1686	560.3286
560.16865	560.32865
560.16866	560.32866
560.16867	560.32867
560.16863	560.32863
560.16864	560.32864
560.16861	560.32861
560.16862	560.32862
560.1679	560.3279
560.1675	560.3275
560.1687	560.3287
560.16876	560.32876
560.16877	560.32877
560.16875	560.32875
560.16874	560.32874
560.16872	560.32872

WITHOUT FUSE HOLDER

IP67

16A compact M25 1/12	32A compact M25 1/12	63A large M40 1/4
561.1670	561.3270	561.6370
561.1683	561.3283	561.6383
561.1678	561.3278	561.6378
561.16837	561.32837	561.63837
561.16836	561.32836	561.63836
561.16833	561.32833	561.63833
561.16832	561.32832	-
561.16834	561.32834	561.63834
561.16838	561.32838	561.63838
561.1672	561.3272	561.6372
561.1674	561.3274	561.6374
561.1686	561.3286	561.6386
561.16865	561.32865	561.63865
561.16866	561.32866	561.63866
561.16867	561.32867	561.63867
561.16863	561.32863	561.63863
561.16864	561.32864	-
561.16861	561.32861	-
561.16862	561.32862	-
561.1679	561.3279	561.6379
561.1675	561.3275	561.6375
561.1687	561.3287	561.6387
561.16876	561.32876	561.63876
561.16877	561.32877	561.63877
561.16875	561.32875	561.63875
561.16874	561.32874	-
561.16872	561.32872	-

- Plugs and sockets
- Adaptors
- Domestic cable reels
- Lamp holders
- TV & Phone
- Plates and devices
- Enclosures
- Plugs and sockets
- Interlocked sockets
- Switchgear
- Light fittings
- Distribution assemblies
- Adaptors
- Industrial cable reels
- Accessories
- Wire connectors
- Conduits
- Trunking

WITH FUSE HOLDER

SWITCHED SOCKET OUTLETS WITH INTERLOCK

Rated operating voltage >50 V

Reference standards: IEC 60309-1 and IEC 60309-2

- Dimensions: pages 314-315
- Approvals: from page 587
- Systems: ADVANCE 2 (from page 298)
- Switches: page 325
- Fuses: gG 10,3x38 mm (16-32A)
Neozed type D02 (63A)

WITH FUSE CARRIER

IP44



Format:
Cable Gland:
Pack qty.:

Poles	Hz.	Volt	Colour	h.
2P+E	50/60	100-130	Yellow	4
	50/60	200-250	Blue	6
	50/60	380-415	Red	9
	60	277	Grey	5
	50/60	480-500	Grey	7
	50/60	is. transf.	Grey	12
	>300-500	>50	Green	2
	c.c.	>50-250	Grey	3
c.c.	>250	Grey	8	
3P+E	50/60	100-130	Yellow	4
	50/60	200-250	Blue	9
	50/60	380-415	Red	6
	60	440-460	Red	11
	50/60	480-500	Grey	7
	50/60	600-690	Black	5
	50/60	is. transf.	Grey	12
	50/60	380/440	Red	3
	100-300	>50	Green	10
	>300-500	>50	Green	2
	3P+N+E	50/60	100-130	Yellow
50/60		208-250	Blue	9
50/60		346-415	Red	6
50/60		480-500	Grey	7
50/60		600-690	Black	5
60		440-460	Red	11
50/60		380/440	Red	3
>300-500		>50	Green	2

16A compact M25 1/12	32A compact M25 1/12
562.1670	562.3270
562.1683	562.3283
562.1678	562.3278
562.16837	562.32837
562.16836	562.32836
562.16833	562.32833
562.16832	562.32832
562.16834	562.32834
562.16838	562.32838
562.1672	562.3272
562.1674	562.3274
562.1686	562.3286
562.16865	562.32865
562.16866	562.32866
562.16867	562.32867
562.16863	562.32863
562.16864	562.32864
562.16861	562.32861
562.16862	562.32862
562.1679	562.3279
562.1675	562.3275
562.1687	562.3287
562.16876	562.32876
562.16877	562.32877
562.16875	562.32875
562.16874	562.32874
562.16872	562.32872

WITH FUSE HOLDER

IP67



16A compact M25 1/12	32A compact M25 1/12	63A large M40 1/4
563.1670	563.3270	563.6370
563.1683	563.3283	563.6383
563.1678	563.3278	563.6378*
563.16837	563.32837	563.63837
563.16836	563.32836	-
563.16833	563.32833	563.63833
563.16832	563.32832	-
563.16834	563.32834	563.63834
563.16838	563.32838	563.63838
563.1672	563.3272	563.6372
563.1674	563.3274	563.6374
563.1686	563.3286	563.6386*
563.16865	563.32865	-
563.16866	563.32866	-
563.16867	563.32867	-
563.16863	563.32863	563.63863
563.16864	563.32864	-
563.16861	563.32861	-
563.16862	563.32862	-
563.1679	563.3279	563.6379
563.1675	563.3275	563.6375
563.1687	563.3287	563.6387*
563.16876	563.32876	-
563.16877	563.32877	-
563.16875	563.32875	-
563.16874	563.32874	-
563.16872	563.32872	-

*only 400V

- Plugs and sockets
- Adaptors
- Domestic cablereels
- Lampholders
- TV & Phone
- Plates and devices
- Enclosures
- Plugs and sockets
- Interlocked sockets
- Switchgear
- Light fittings
- Distribution assemblies
- Adaptors
- Industrial cable reels
- Accessories
- Wire connectors
- Conduits
- Trunking

HEAVY DUTY Versions (▲)



16A compact M25 1/12	32A compact M25 1/12	63A large M40 1/4
564.1670	564.3270	564.6370
564.1683	564.3283	564.6383
564.1678	564.3278	564.6378*
564.16837	564.32837	564.63837
564.16836	564.32836	-
564.16833	564.32833	564.63833
564.16832	564.32832	564.63832
564.16834	564.32834	564.63834
564.16838	564.32838	564.63838
564.1672	564.3272	564.6372
564.1674	564.3274	564.6374
564.1686	564.3286	564.6386*
564.16865	564.32865	-
564.16866	564.32866	-
564.16867	564.32867	-
564.16863	564.32863	564.63863
564.16864	564.32864	-
564.16861	564.32861	-
564.16862	564.32862	-
564.1679	564.3279	564.6379
564.1675	564.3275	564.6375
564.1687	564.3287	564.6387*
564.16876	564.32876	-
564.16877	564.32877	-
564.16875	564.32875	-
564.16874	564.32874	-
564.16872	564.32872	-

(▲) Features referring to Heavy Duty products are shown on pages 296-297

WITH DIN RAIL (6 Modules)

SWITCHED SOCKET OUTLETS WITH INTERLOCK

Rated operating voltage >50 V

Reference standards: IEC 60309-1 and IEC 60309-2

- Dimensions: pages 314-315
- Approvals: from page 587
- Systems: ADVANCE 2 (from page 298)
- Switches: page 325

IP44



Format:
Cable Gland :
Pack qty.:

Poles	Hz.	Volt	Colour	h.
2P+E	50/60	100-130	Yellow	4
	50/60	200-250	Blue	6
	50/60	380-415	Red	9
	60	277	Grey	5
	50/60	480-500	Grey	7
	50/60	is. transf.	Grey	12
	>300-500	>50	Green	2
	c.c.	>50-250	Grey	3
	c.c.	>250	Grey	8
3P+E	50/60	100-130	Yellow	4
	50/60	200-250	Blue	9
	50/60	380-415	Red	6
	60	440-460	Red	11
	50/60	480-500	Grey	7
	50/60	600-690	Black	5
	50/60	is. transf.	Grey	12
	50/60	380/440	Red	3
	100-300	>50	Green	10
	>300-500	>50	Green	2
	3P+N+E	50/60	100-130	Yellow
50/60		208-250	Blue	9
50/60		346-415	Red	6
50/60		480-500	Grey	7
50/60		600-690	Black	5
60		440-460	Red	11
50/60		380/440	Red	3
>300-500		>50	Green	2

16A large M25 1/4	32A large M25 1/4
567.1670	567.3270
567.1683	567.3283
567.1678	567.3278
567.16837	567.32837
567.16836	567.32836
567.16833	567.32833
567.16832	567.32832
567.16834	567.32834
567.16838	567.32838
567.1672	567.3272
567.1674	567.3274
567.1686	567.3286
567.16865	567.32865
567.16866	567.32866
567.16867	567.32867
567.16863	567.32863
567.16864	567.32864
567.16861	567.32861
567.16862	567.32862
567.1679	567.3279
567.1675	567.3275
567.1687	567.3287
567.16876	567.32876
567.16877	567.32877
567.16875	567.32875
567.16874	567.32874
567.16872	567.32872

IP67



16A large M25 1/4	32A large M25 1/4	63A large M40 1/4
568.1670	568.3270	568.6370
568.1683	568.3283	568.6383
568.1678	568.3278	568.6378*
568.16837	568.32837	568.63837
568.16836	568.32836	-
568.16833	568.32833	568.63833
568.16832	568.32832	-
568.16834	568.32834	568.63834
568.16838	568.32838	568.63838
568.1672	568.3272	568.6372
568.1674	568.3274	568.6374
568.1686	568.3286	568.6386*
568.16865	568.32865	-
568.16866	568.32866	-
568.16867	568.32867	-
568.16863	568.32863	568.63863
568.16864	568.32864	-
568.16861	568.32861	-
568.16862	568.32862	-
568.1679	568.3279	568.6379
568.1675	568.3275	568.6375
568.1687	568.3287	568.6387*
568.16876	568.32876	-
568.16877	568.32877	-
568.16875	568.32875	-
568.16874	568.32874	-
568.16872	568.32872	-

IP67

Versions
HEAVY
DUTY
(▲)



16A large M25 1/4	32A large M25 1/4	63A large M40 1/4
569.1670	569.3270	569.6370
569.1683	569.3283	569.6383
569.1678	569.3278	569.6378*
569.16837	569.32837	569.63837
569.16836	569.32836	-
569.16833	569.32833	569.63833
569.16832	569.32832	569.63832
569.16834	569.32834	569.63834
569.16838	569.32838	569.63838
569.1672	569.3272	569.6372
569.1674	569.3274	569.6374
569.1686	569.3286	569.6386*
569.16865	569.32865	-
569.16866	569.32866	-
569.16867	569.32867	-
569.16863	569.32863	569.63863
569.16864	569.32864	-
569.16861	569.32861	-
569.16862	569.32862	-
569.1679	569.3279	569.6379
569.1675	569.3275	569.6375
569.1687	569.3287	569.6387*
569.16876	569.32876	-
569.16877	569.32877	-
569.16875	569.32875	-
569.16874	569.32874	-
569.16872	569.32872	-

*only 400V

(▲) Features referring to Heavy Duty products are shown on pages 296-297

- Plugs and sockets
- Adaptors
- Domestic cablelets
- Lampholders
- TV & Phone
- Plates and devices
- Enclosures
- Plugs and sockets
- Interlocked sockets
- Switchgear
- Light fittings
- Distribution assemblies
- Adaptors
- Industrial cable reels
- Accessories
- Wire connectors
- Conduits
- Trunking



ELECTRIC INTERLOCK VERSION <50V



The ADVANCE < 50 V surface mounting socket outlet is ideal for supplying low voltage appliances in safety (SELV).

VERSIONS

- With SELV transformer
- With DIN rail, without SELV transformer

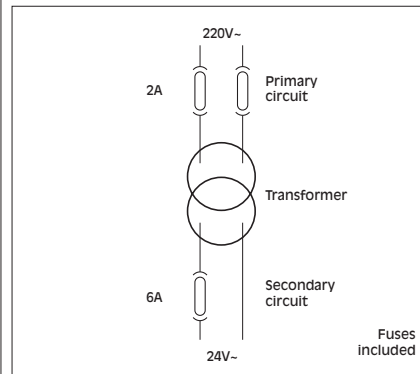
Both the versions are available in HD material and can be fitted into the ADVANCE 2 System.

THE EXTRA-LOW VOLTAGE SYSTEM OF SAFETY (SELV)

The SELV system is effectively used on low voltage installations to provide protection against shock hazards for personnel in the event of direct or indirect contacts.

CEI 64-8 (IEC 60364) Standards require the following essential conditions to be met by an installation to implement the SELV system:

- rated voltage: not above 50V~ or 120V d.c.
- power supply: from a safety source with galvanic separation, eg. safety transformer, emergency generator, battery, equivalent electronic devices, etc.
- live parts are not earthed nor connected to the live parts of other electrical systems nor to protective conductors of other circuits
- electric circuits: electric separation from other circuits with isolation characteristics equal to those provided between the primary and secondary winding of the safety transformers, use a non-metallic sheath.
- metallic bodies should not be earthed nor connected to protective conductors or the metallic bodies of other electrical systems nor to external metallic bodies
- plugs should not be inserted into the sockets of other electrical systems
- sockets should not allow for the insertion of plugs of other electrical systems and should not have earth contact.



Protections for the version with transformer

ELECTRIC INTERLOCK VERSION EXTRA LOW VOLTAGE SAFETY SYSTEM (SELV)

Surface mounting
Rated operating voltage <50V

Reference standards: IEC 60309-1 and IEC 60309-2

- Approvals: from page 587
- Systems: ADVANCE 2 (from page 298)

VERSION WITH SAFETY TRANSFORMER

- SELV Transformer 220/24V~ - 150VA (continuous power)
- Extra Low power safety
- With a micro-switch that provides electric interlock and operates on the transformer primary

Compact (module 106)

- Cable gland M25

SOCKET	DESCRIPTION	COLOUR	h	RATED VOLTAGE	PACK QTY.	IP44 CAT.NO.	IP67 CAT.NO.
2P - 16A	Normal		-	24V~	1/10	565.2416	565.2416/S
	Heavy Duty (*)		-	24V~	1/10	566.2416	566.2416/S

The electric interlock is activated by the insertion of the plug.

LARGE (module 136)

- Cable gland M25
- Protection: 2A primary fuse, 6A secondary

SOCKET	DESCRIPTION	COLOUR	h	RATED VOLTAGE	PACK QTY.	IP44 CAT.NO.	IP67 CAT.NO.
2P - 16A	Normal		-	24V~	1/4	565.2516	565.2516/S
	Heavy Duty (*)		-	24V~	1/4	566.2516	566.2516/S

The electric interlock is activated by the insertion of the plug.

VERSION WITH RAIL 6 DIN MODULES:

- Without transformer
- With a micro-switch that can be connected to relays for the electric interlock
- Protections: to be installed on DIN rail
- Version particularly suitable for extra low voltage systems with main transformer

Compact (module 106)

- Cable gland M25

SOCKET	DESCRIPTION	COLOUR	h	RATED VOLTAGE	PACK QTY.	IP44 CAT.NO.	IP67 CAT.NO.
2P - 16A	Normale		-	20-25V~	1/10	565.2420	565.2420/S
			12	40-50V~	1/10	565.2421	565.2421/S
2P - 16A	Heavy Duty (*)		-	20-25V~	1/10	566.2420	566.2420/S
			12	40-50V~	1/10	566.2421	566.2421/S
2P - 32A	Normale		-	20-25V~	1/10	565.2432	565.2432/S
			12	40-50V~	1/10	565.2433	565.2433/S
2P - 32A	Heavy Duty (*)		-	20-25V~	1/10	566.2432	566.2432/S
			12	40-50V~	1/10	566.2433	566.2433/S

The electric interlock is activated by the insertion of the plug.

(*) Features referring to Heavy Duty products are shown on pages 296-297



ELECTRIC INTERLOCK VERSION 125 A

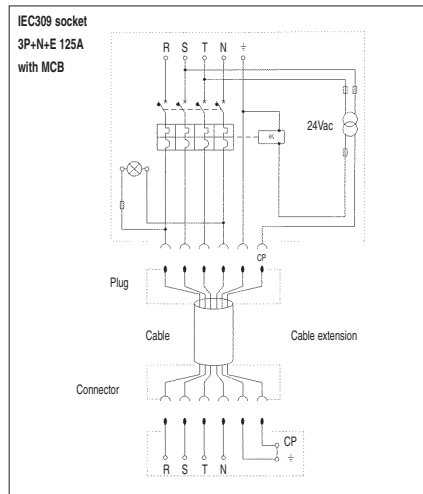


Suitable for supplying heavy electrical loads, such as required for building sites, assemblies and complex machines or systems that absorb high currents. SCAME's ADVANCE 2 Series 125A socket outlets come with protective devices already installed. An undervoltage release opens the circuit if the supply voltage goes under the pre-set limit.

VERSIONS

- With MCB
- With MCB and RCD

ELECTRICAL INTERLOCK DIAGRAM



PILOT CONTACT

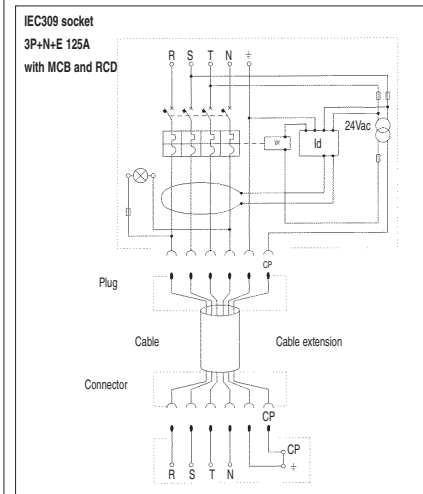
Under the IEC 60309-2 Standard plugs and sockets with rated current above 63A should be fitted with a pilot contact which, through an electric interlock, prevents the plug from being inserted and withdrawn while under load.

This device prevents the forming of dangerous arc discharges between the contacts.

The interlock device consists of an undervoltage release (mounted in the circuit breaker) controlled by the pilot contact.

The pilot contact closing lags after that of the phase contacts when the plug is inserted into the socket, whereas the pilot contact opening leads before that of the phase contacts when the plug is withdrawn from the socket.

Thanks to this sequence, through the undervoltage release, the pilot contact causes tripping of the circuit breaker, which switches off the socket's main power circuit before the plug is withdrawn and closes it after the plug has been fully inserted.



ELECTRIC INTERLOCK VERSION 125 A - IP55

Surface mounting

Rated operating voltage >50V - IP55

Reference standard: IEC 60309-1 and IEC 60309-2

- Electric interlock
- RAL 7032 grey highly impact-resistant casing
- Bayonet coupling socket outlet
- Colour according to the different operating voltages
- Degree of protection: IP55
- Electric interlock obtained with pilot contact and undervoltage release which allows the plug to be inserted or withdrawn only when the circuit is open
- Thermal magnetic moulded-case circuit breaker (MCB) with or without residual current device (RCD) reactivated from the outside by a rotating knob that can be padlocked, breaking power: 15KA
- Safety transformer (24V~) for interlock control, protected by fuses
- Live status light indicator
- Supplied complete with cable gland PG48

WITH MCB

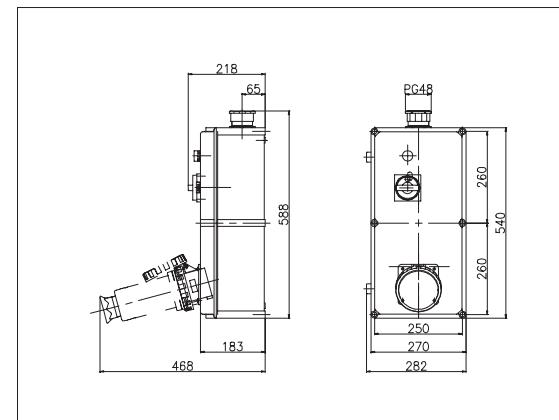
DESCRIPTION	COLOUR	PACK QTY.	CATALOGUE NUMBER
Socket 3P+E 125A - 380/415V		1	557.12576
Socket 3P+N+E 125A - 380/415V		1	557.12577

WITH MCB AND RCD

DESCRIPTION	COLOUR	PACK QTY.	CATALOGUE NUMBER
Socket 3P+E 125A - 380/415V		1	557.12586
Socket 3P+N+E 125A - 380/415V		1	557.12587

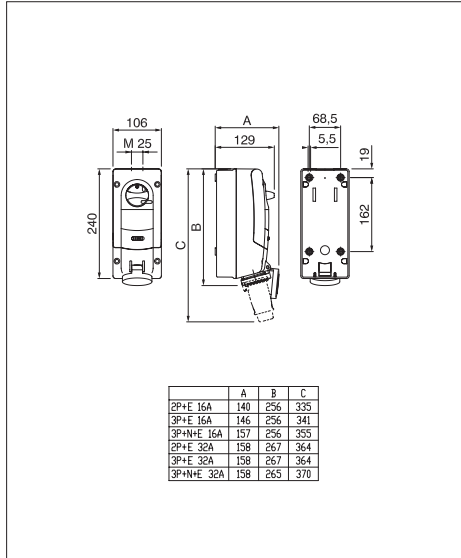


DIMENSIONS

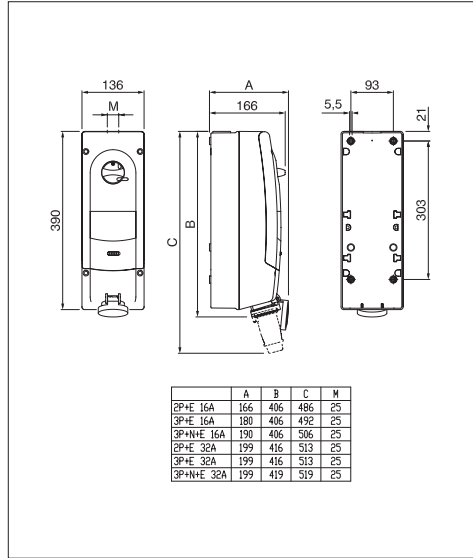


RATED OPERATING VOLTAGE >50V

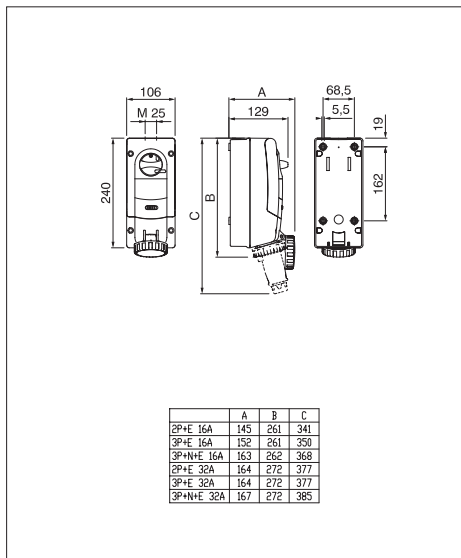
COMPACT VERSION - IP44



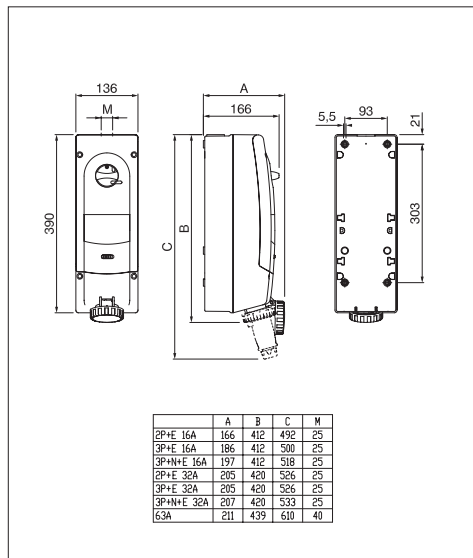
LARGE VERSION - IP44



COMPACT VERSION - IP67

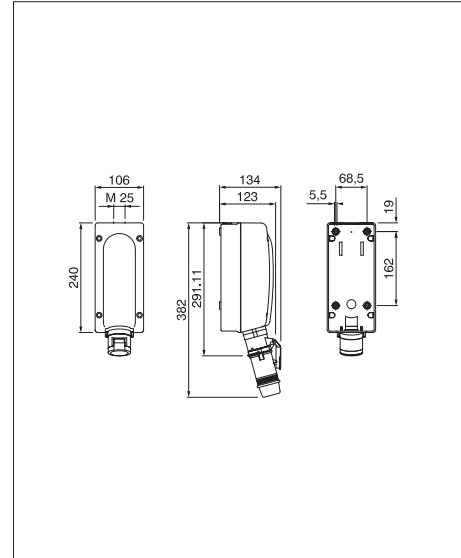


LARGE VERSION - IP67

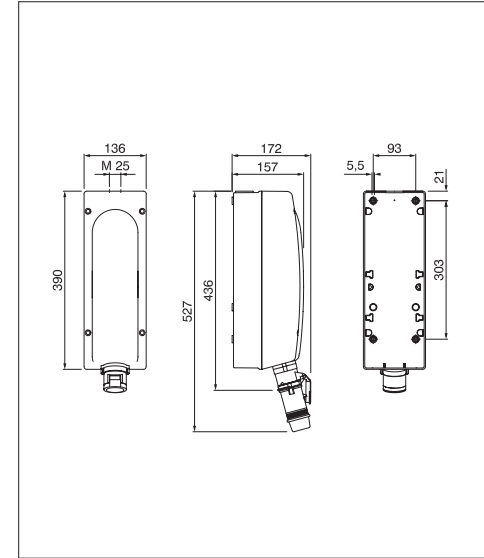


RATED OPERATING VOLTAGE >50V

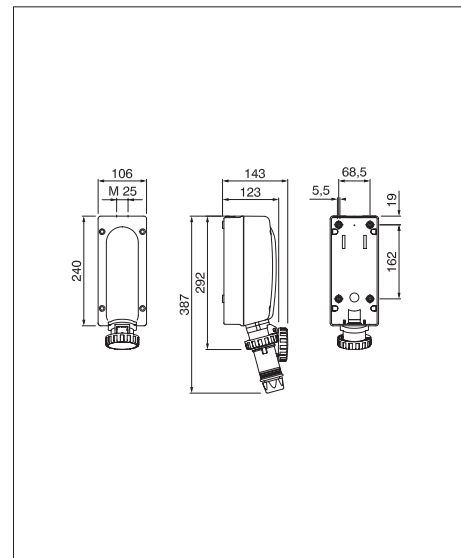
COMPACT VERSION - IP44



LARGE VERSION - IP44



COMPACT VERSION - IP67



LARGE VERSION - IP67

