

> LIGHT FITTINGS



> REFERENCE STANDARDS

EN 60598-1
Luminaires
Part 1: general requirements and tests

EN 60598-2-8
Luminaires
Part 2: particular requirements

> QUALITY MARKS



> TECHNICAL CHARACTERISTICS

Protection degree:	IP20 - IP65
Operating temperature according to the reference standard:	-5°C+35°C
Rated wattage:	60W
Glow Wire test:	650°C
IK degree at 20°C:	IK08 (IP65 version) IK09 (IP20 version)
Cable inlet:	8-13mm (version without cable)
Double insulation <input checked="" type="checkbox"/> :	Yes (Class II)
Lampholder type:	E27
Material:	Engineering plastic

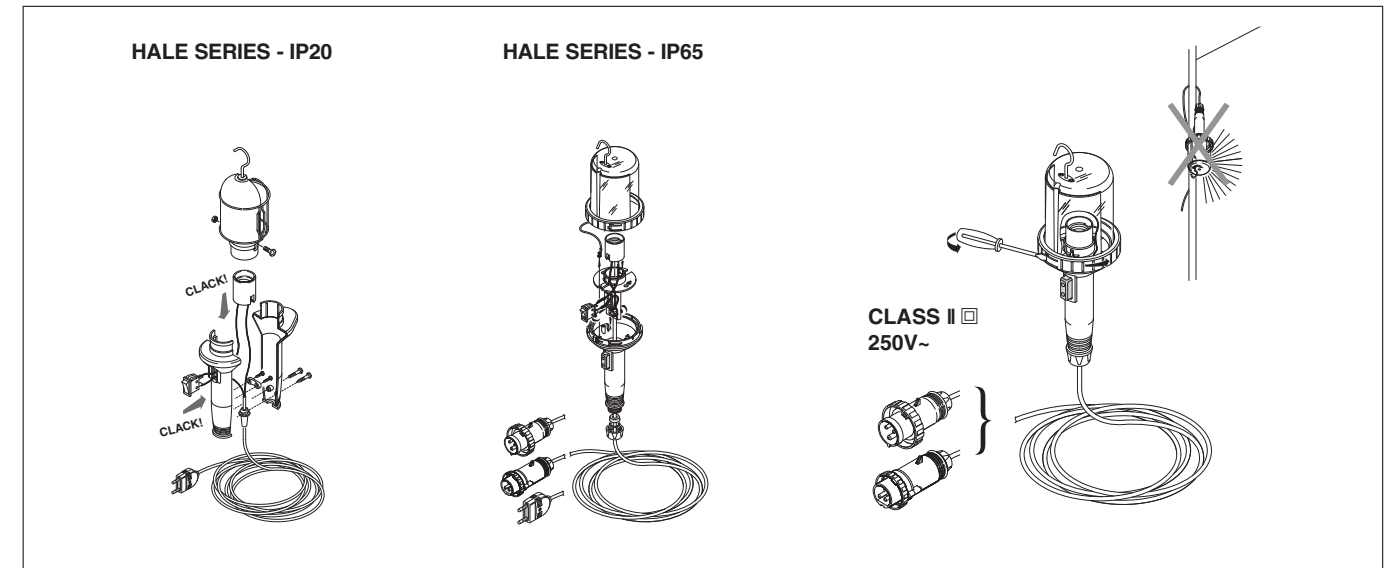
> VERSIONS

	HALE Series - IP20 - Standard version - Heavy duty version
	HALE Series - IP65

> BEHAVIOUR WITH CHEMICAL AND ATMOSPHERIC AGENTS

Saline solution	Acids		Bases		Solvents				Mineral oil	UV rays
	Concentrated	Diluted	Concentrated	Diluted	Hexane	Benzol	Acetone	Alcohol		
Resistant	Limited Resistance	Resistant	Limited Resistance	Limited Resistance	Limited Resistance	Not Resistant	Not Resistant	Resistant	Limited Resistance	Resistant

> INSTALLATION



> APPLICATION EXAMPLES



Portable lighting - 60 W



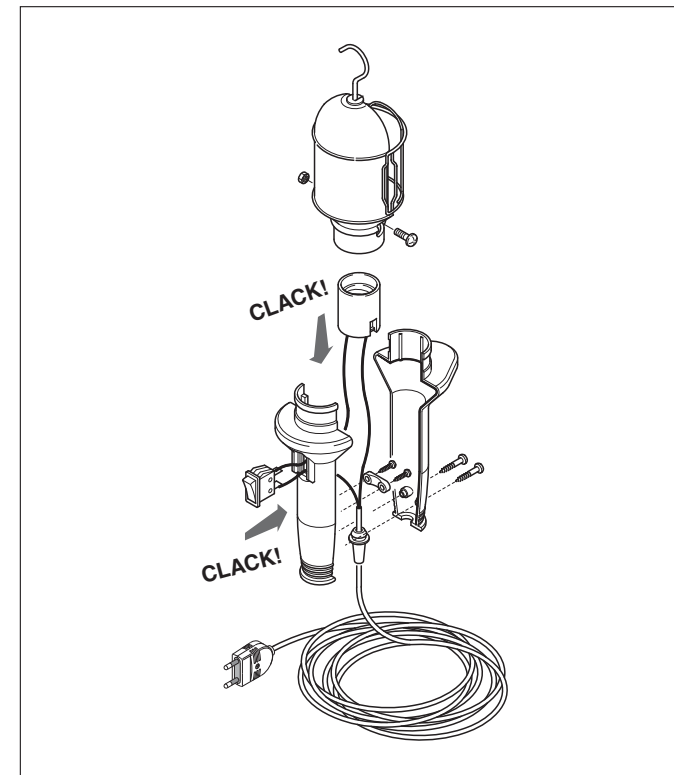
> WITH PROTECTIVE GUARD AND ZINC - PLATED STEEL REFLECTOR - IP20

HALE Series



Cable	Plug	Supply	Lampholder	□	Standard version	Standard version	HD version
Without cable and plug	-	-	E27	1/24	770.200		770.250
5m 2x0,75mm ²	Italian	2P-10A-250V	E27	1/24		Ⓢ 770.207	
10m 2x0,75mm ²	Italian	2P-10A-250V	E27	1/18		Ⓢ 770.208	

- H05VV-F cable.



Hale Series - IP20



> WITH PROTECTIVE GUARD AND ZINC - PLATED STEEL REFLECTOR - IP20 (•)

HALE Series



Cable	Plug	Supply	Lampholder	□	
5m 2x1mm ²	Italian	2P-10A-250V	E27	1/6	770.407
10m 2x1mm ²	Italian	2P-10A-250V	E27	1/6	770.408

(•) The degree of protection IP20 is due to the plug for domestic use, while the apparatus is IP65; for example, if plugged into a socket in the garage the lamp can be used in the garden. - H05RN-F cable

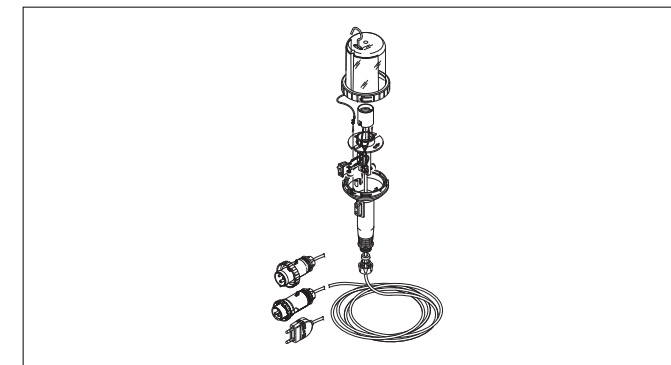
> WITH PROTECTIVE GUARD AND ZINC - PLATED STEEL REFLECTOR - IP65

HALE Series



Cable	Plug	Supply	Lampholder	□	
Without cable and plug	-	-	E27	1/6	770.400
5m 2x1mm ²	IEC309	2P 16A-24V (♦)	E27	1/6	Ⓢ 770.405
10m 2x1mm ²	IEC309	2P 16A-24V (♦)	E27	1/6	Ⓢ 770.406
5m 2x1mm ²	IEC309(•)	2P+E 16A-250V	E27	1/6	Ⓢ 770.409
10m 2x1mm ²	IEC309(•)	2P+E 16A-250V	E27	1/6	Ⓢ 770.410

(♦) EUREKA Series plug (the earth pole is not connected).
 (•) For safety supply with transformer unit 24V~ (SELV) see:
 - ADVANCE 2 Series interlocked-switch socket outlets - MEGA Series distribution assemblies
 - DOMINO 400 Series distribution assemblies - BLOCK 4 Series distribution assemblies
 - ROLLER 450 Series cable reels.



Hale Series - IP65

