







## OMNIA Series Interlocked switch socket outlets



No. REFERENCE SERIES	
<b>400</b>	<b>500</b>
<b>401</b>	<b>501</b>
<b>405</b>	<b>505</b>
<b>406</b>	<b>506</b>



VERSIONS			
	Surface mounting Without fuse carrier		Flush mounting Without fuse carrier
	Surface mounting With fuse carrier		Flush mounting With fuse carrier
	Surface mounting Extra-low voltage		Flush mounting Extra-low voltage

REFERENCE STANDARDS	
Standards:	<b>EN 60309-1 (1999)</b> <b>EN 60309-2 (1999)</b>

MARKING		
Marking:	<b>CE Marking</b>	

QUALITY MARKS	
	

TECHNICAL CHARACTERISTICS	
Rated current:	<b>16A-32A-63A</b>
Rated voltage:	<b>100÷690V~</b>
Frequency:	<b>c.c. - 50÷690Hz</b>
Insulating voltage:	<b>500/690V~</b>
Protection degree:	<b>IP44-IP67</b>
Operating temperature according to the reference standard:	<b>-25°C+40°C</b>
Max operating temperature:	<b>60°C</b>
Glow Wire test:	<b>650°C/850°C</b>
Material:	<b>Engineering plastic</b>
IK degree at 20°C:	<b>IK07-IK08</b>
Cable inlet:	<b>PG/METRIC</b>
Fuse-carriers:	<b>gG 10,3x38mm</b>
Colour:	<b>Grey RAL 7035</b>

CABLING OPERATIONS			
Cabling capacity of the terminals (mm <sup>2</sup> )			
Rated voltage	Rated current (A)	Socket outlets	
		Min	Max
Over 50V	16A	1,5	4
	32A	2,5	10
	63A	6	25
50V or less	16A	4	10
	32A	4	10

## OMNIA Series Interlocked switch socket outlets



### No. REFERENCE SERIES

<b>400</b>	<b>500</b>
<b>401</b>	<b>501</b>
<b>405</b>	<b>505</b>
<b>406</b>	<b>506</b>

### BEHAVIOUR WITH CHEMICAL AND ATMOSPHERIC AGENTS

Saline solution	Acids		Bases		Solvents				Mineral oil	UV rays
	Concentrated	Diluted	Concentrated	Diluted	Hexane	Benzol	Acetone	Alcohol		
RESISTANT	LIMITED RESISTANCE	RESISTANT	RESISTANT	RESISTANT	NOT RESISTANT	NOT RESISTANT	NOT RESISTANT	LIMITED RESISTANCE	RESISTANT	RESISTANT

### TECHNICAL DATA ROTARY SWITCHES

				With fuse		Without fuse				
				16A	32A	16A	32A	63A		
Rated insulation voltage $U_i$				Vac	690	690	690	690	690	
				Vdc	400	400	400	400	-	
Rated impulse withstand voltage $U_{imp}$				kV	4	4	4	4	8	
Thermal current $I_{th}$				A	25	32	30	40	63	
Thermal current $I_{the}$				A	25	32	30	40	63	
Nominal current rating $I_e$	AC21A	Resistive loads, including moderate overloads	400V	A	-	-	-	-	-	
			500V		-	-	-	-	-	
			690V		25	32	30	32	63	
	AC22A	Mixed resistive and inductive loads, including moderate overloads	400V	A	-	-	-	-	-	
			500V		-	-	-	-	-	
			690V		30	32	20	32	63	
	AC23A	Switching off motor loads or other highly inductive loads (3 phase/3 pole)	400V	A	-	-	-	-	50	
			500V		-	-	-	-	40	
			690V		16	25	16	25	30	
	AC3	Squirrel-cage motor: starting, switching off motor during running (3 phase/3 pole)	400V	A	-	28,5	-	28,5	40	
			690V		12	20	12	20	25	
	DC21A	Resistive loads, including Moderate overloads	300V	A	25	32	25	32	-	
20					32	20	32	-		
DC22A	Mixed resistive and inductive loads, including moderate overloads	250V	A	20	32	20	32	-		
Rated short-time withstand current $I_{cw}$ (s)				A	400	400	400	400	1500	
Short-circuit protection:	Conditional short-circuit current			kA	10	10	10	10	10	
	Associate fuse size for conditional short-circuit current – Type gG			500V	A	16	32	16	32	63
	Rated short-circuit making capacity $I_{cm}$			A	1500	1500	1500	1500	2850	
Permissible wire gauge:	Flexible wire		mm <sup>2</sup>		1.5-10	1.5-10	1.5-10	1.5-10	10-35	
			AWG		16-8	16-8	16-8	16-8	8-2	
	Rigid wire		mm <sup>2</sup>		1.5-16	1.5-16	1.5-16	1.5-16	10-35	
			AWG		16-6	16-6	16-6	16-6	8-2	



### FLUSH AND SURFACE MOUNTING MODULAR SYSTEM

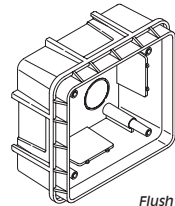


Ideally suited to installation needs in premises that require industrial sockets but where protrusion from the wall must be kept to a minimum, such as in kitchens, bars, public places, shops and business premises in general.

The OMNIA System includes:

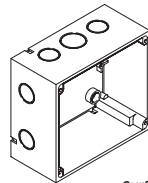
- a flush mounting box
- a surface mounting box

The **flush mounting box**, which is suitable for walled installations, can be combined both horizontally and vertically with any number of boxes by simply fitting them together with a special coupling insert. This also allows the cable to move easily from one box to the next.



Flush mounting box

The **surface mounting box** is designed for small external installations IP55. In the same flush or surface mounting box 16A and 32A interlocked-switch socket outlets in OMNIA Series IP44 or IP67 can be mounted.



Surface mounting box



Flush mounting combination unit.



Flush mounting combination with OMNIA Series interlocked-switch socket outlet.

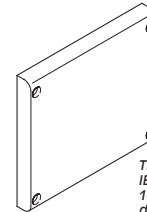
### VERSIONS

Both flush and surface mounting boxes can house:

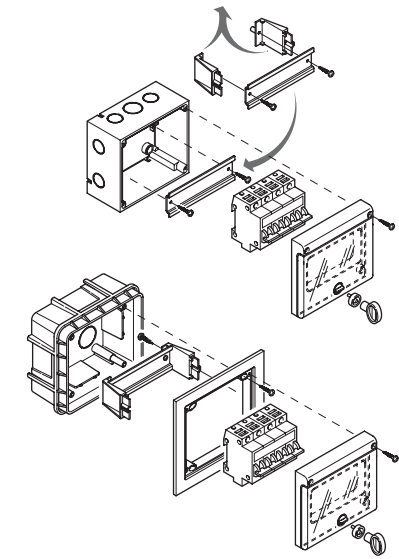
- A **flush mounting interlocked-switch socket outlet**, OMNIA Series from 16 A to 32 A, IP44 or IP67
- A **consumer unit** up to 6 DIN modules (17.5 mm)
- A **blank cover** to provide a junction box

A practical frame gives the flush mounted installation a professional finish and an attractive appearance.

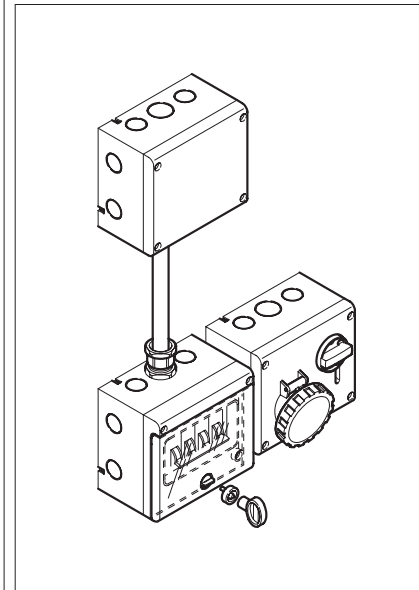
The design of the OMNIA System box enables it to change its functions as required, for example changing from a junction box to a consumer unit, from a consumer unit to an interlocked-switch socket outlet, etc.



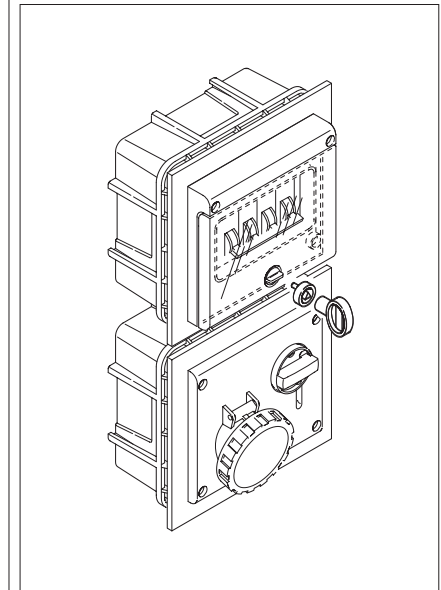
The cover allows for the installation of IEC309 and EUREKA Series socket outlets 16 A, 32 A and 63 A and 16 A sockets for domestic applications



Consumer unit with DIN window. Flush or surface mounting installation.



Surface mounting installations.



Flush mounting installation.



Plugs and sockets



Adaptors



Domestic cable reels



Lamp holders



TV & Phone



Photos and devices



Enclosures



Plugs and sockets



Interlocked sockets



Switchgear



Light fittings



Distribution assemblies



Adaptors



Industrial cable reels



Accessories



Wire connectors



Conduits



Trunking

### STRUCTURAL CHARACTERISTICS

#### Flush mounting box

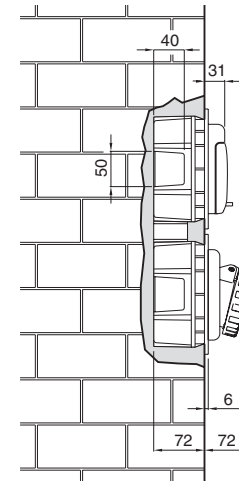
- a single box can be used for housing any of the interlocked-switch socket outlets of the OMNIA Series or for a 6 (\*) DIN modules consumer unit or for making up a junction box by using a blank cover.
- 4 rectangular knock-out side entries 53 X 40 mm
- 4x34 mm diameter entries that can be knocked out at the bottom
- coupling insert to provide a passage for the wires from one box to the next without requiring pipes, and for perfect alignment between the boxes

#### Surface mounting box

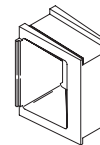
- A single box suitable for housing any of the interlocked-switch socket outlets of the OMNIA Series, or a consumer unit for 6 (\*) DIN modules or for making up a junction box by using a blank cover.
- Surface mounting by means of 4 slotted holes for easier centring or panel mounting by means of holes on the back of the box.
- Knockout holes on all sides: PG version
  - top: n° 2 x PG16 and n° 1PG 21
  - sides: n° 2 x PG16
  - bottom: n° 1 x PG21
  - back: n° 2 x PG16
- Knockout holes on all sides: metric version
  - top: n° 3 x M20 (M25)
  - sides: n° 2 x M20
  - bottom: n° 2 x M20 (M25)
  - back: n° 2 x M20 (M25)
- (the boxes may be used upside down)
- 2 notches for fastening the EN 50022 rail
- Draining holes on all four sides

### TECHNICAL CHARACTERISTICS

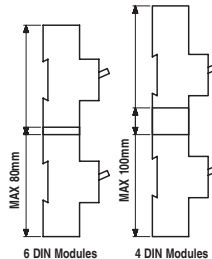
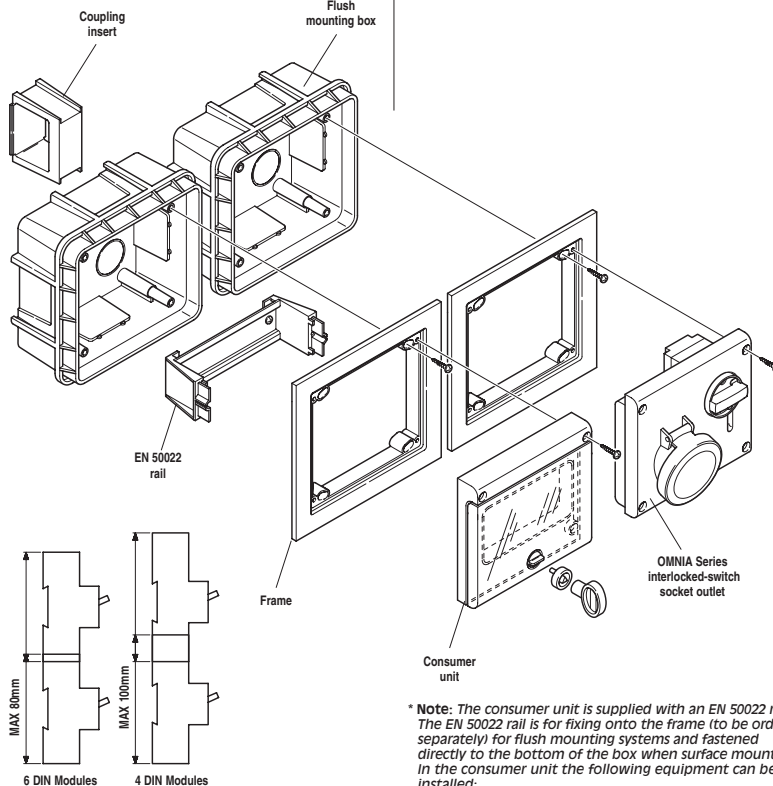
- Protection degree IP55 according to IEC 60529.
- Made of halogen-free self-extinguishing thermoplastic material. RAL 7035 grey, abnormal heat and fire resistant up to 650 °C (glow-wire test to IEC 695-2-1).
- Dimensional stability in continuous operation from -25 °C to +60 °C.
- Impact resistance: 6 Joule
- Resistance to chemicals (water, saline solutions, acids, alkaline, mineral oils) and weathering.
- Stainless steel quick action locking screws.
- Non-ageing elastomer seals.
- Compliance with IEC 60670 (only for boxes coupled to the consumer unit or with blank cover).



Flush mounting installation



Coupler for joining together flush mounting boxes. Several boxes can be combined for walling-in. It also provides easy passage for the cables.



- \* Note: The consumer unit is supplied with an EN 50022 rail. The EN 50022 rail is for fixing onto the frame (to be ordered separately) for flush mounting systems and fastened directly to the bottom of the box when surface mounting. In the consumer unit the following equipment can be installed:
- MCB up to 6 DIN modules
  - RCD up to 6 DIN modules
  - Combined circuit breakers (RCBO) up to 4 DIN modules
  - Modular equipment of up to 6 DIN modules



Example of a flush mounting combination: consumer unit, junction box and OMNIA Series interlocked-switch socket outlet. IP55 weatherproof.



Example of a surface mounting combination: consumer unit and OMNIA Series interlocked-switch socket outlet. IP55 weatherproof.







### ACCESSORIES

The OMNIA System comes complete with a kit with all fittings for installation.

Depending on the product purchased, the kit includes the coupler for joining together the surface mounting boxes, fastening screws and seals, the EN 50022 (17.5mm) rail if required, instructions and any other parts necessary for a proper installation.

A protective cover is also available for ensuring IP20 on the back of the OMNIA Series Interlocked-switch socket outlet when panel mounted.

### SURFACE MOUNTING SYSTEM

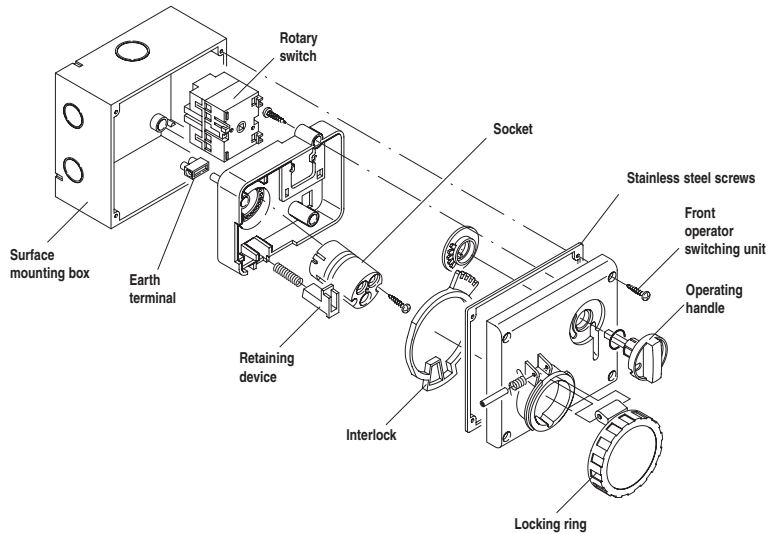
It is available with in an integral unit consisting of one distribution unit and two OMNIA interlock switch sockets fused or unfused.

The construction of these products guarantees a robust unit allowing separate removal of the distribution unit or the OMNIA switch interlocks and ensuring quick cabling of the unit.

It is possible to construct and assemble these units off site in workshops, enabling installation of units on site utilising the internal/external fixing holes and lugs the distribution unit will accept a blank cover to permit the use of the unit for other purposes ie as a junction box.(pag. 249).



Surface mounting system: consumer unit 6 DIN system version.



OMNIA Series  
Surface mounting socket outlet 2P+E - 16A - 6h - 220V-

### COMMON COMPONENTS

#### CONSUMER UNIT ASSEMBLY KIT - IP55\*

- DIN modules and supports included
- Installation in the flush mounting box through the frame Art. 572.0220
- Complete with locking knob, triangular locking key and stainless steel fixing screws

DESCRIPTION	DIMENSIONS (mm)	POWER DISSIPATION	PACK QTY.	CATALOGUE NUMBER
6 DIN Modules	136x125x25	10W (+)	6	572.0120

The consumer unit can also be installed in the IP66 DOMINO Series surface mounting boxes (page 146)

(\*) When assembled together with the relevant component

(+) When joined with surface mounting box (product 572.0310 page 287).

Power calculated conforming to CEI 23-49 standards.

#### BLANK PLATE - IP67\*

- Closes the cut-outs foreseen for OMNIA series flush mounting sockets with interlocking-switches
- With knock-out for panel mounting of 16A/32A/63A angled Sockets for EUREKA Series (from page 230) and IEC 309 Series (from page 260)
- Supplied complete with gasket for IP55 and 4 stainless steel screws
- RAL 7035 grey

DESCRIPTION	DIMENSIONS (mm)	PACK QTY.	CATALOGUE NUMBER
Flange 136 x 125mm	136x125x15	6	654.0120

(\*) When assembled together with the relevant component

#### PROTECTION COVER - IP20

- For panel mounting of OMNIA series interlocked-switch socket outlets without fuse carrier
- Top and bottom cable entries
- Supplied with 2 fixing screws

DESCRIPTION	DIMENSIONS (mm)	PACK QTY.	CATALOGUE NUMBER
1 Cover kit	122x98x54	4	572.0330

#### COVER WITH INSERT - IP55

DESCRIPTION	PACK QTY.	CATALOGUE NUMBER
OMNIA cover with insert "Living International", "Luna", "Light" and "Light Tech"	6	654.0121*
OMNIA cover with insert "Evolution"	6	654.0122

\* This module container is realized by authorization of the Bticino spa company and is suitable to house the "Living International", "Luna", "Light" and "Light Tech" modules which are registered trademarks owned by Bticino.



Plugs and sockets



Adaptors



Domestic cable reels



Lamp holders



TV & Phone



Plates and devices



Enclosures



Plugs and sockets



Interlocked sockets



Switchgear



Light fittings



Distribution assemblies



Adaptors



Industrial cable reels



Accessories



Wire connectors



Conduits



Trunking



Trunking

## COMPONENTS FOR FLUSH MOUNTING INSTALLATION

### FLUSH MOUNTING BOX

- For the installation of OMNIA components in flush mounting applications
- With coupling insert

DESCRIPTION	DIMENSIONS (mm)	PACK QTY.	CATALOGUE NUMBER
1 box kit	160x149x72	6	572.0200

Except 32A fuse versions



### FRAME - IP55\*

- For the installation of flush mounting boxes (product 572.0200)
- Complete with gasket

DESCRIPTION	DIMENSIONS (mm)	PACK QTY.	CATALOGUE NUMBER
Kit 1 cornice	174x163x19	6	572.0220

(\*) When assembled together with the relevant component



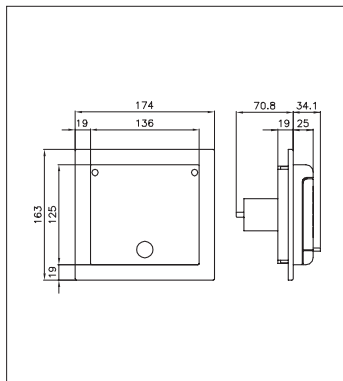
### COUPLING INSERT

- Necessary for joining OMNIA series flush mounting boxes (cat. no. 572.0200 page 248)
- Made of thermoplastic

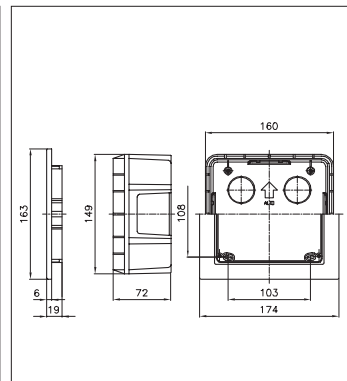
DESCRIPTION	PACK QTY.	CATALOGUE NUMBER
Coupling insert	6	572.0210



### CONSUMER UNIT AND FRAME



### FLUSH MOUNTING BOX AND FRAME



## COMPONENTS FOR SURFACE MOUNTING INSTALLATION

### SURFACE MOUNTING BOX - IP67\*

- For the installation of OMNIA interlocked sockets cat. no. 400, 401, 405 and 406 (pages 291-293), consumer units cat. no. 572.0120 (page 285) or blank plate cat. no. 654.0120 (page 285)

DESCRIPTION	DIMENSIONS (mm)	POWER	CABLE INLET	PACK QTY.	CATALOGUE NUMBER	
1 box kit	136x275	(63A)	-	METRIC	1	572.M0308
	135x125x70	(16 e 32A)	10W (*)	PG	6	572.0310
			METRIC	6		572.M0310

(\*) When assembled together with the relevant component.

(\*) When joined with consumer unit (product 572.0120 page 285). Power calculated conforming to CEI 23-49 standards. Except 32A fuse versions

Not suitable for items 400.2416 and 405.2416



### SURFACE MOUNTING SYSTEM - IP66\*

- Accepts from 2 to 4 embedded OMNIA Series sockets, groups 400 and 405, (page 291), from 2 to 4 embedded OMNIA Series sockets with fuse box base, groups 401 and 406, (page 293), or hole-covering masks, item 654.0120 (page 285)

DESCRIPTION	DIMENSIONS (mm)	OMNIA	PACK QTY.	CATALOGUE NUMBER
"Consumer unit 6 DIN" system	136x472x146	12W (*)	2	572.0311
"Blank plate" system	136x472x146	-	2	572.0312
"Consumer unit 6 DIN" system	136x616x146	12W (*)	3	572.0313
"Blank plate" system	136x616x146	-	3	572.0314
"Blank plate" system	287x408x146	-	4	572.0316

(\*) When assembled together with relevant component

(\*) Power calculated conforming to CEI 23-49 standards



See DOMINO System (page 144) for other containers suitable to house OMNIA Series sockets.



572.0311



572.0312



572.0313



572.0314

572.0316



Plugs and sockets



Adaptors



Domestic cablelets



Lampholders



TV & Phone



Plates and devices



Enclosures



Plugs and sockets



Interlocked sockets



Switchgear



Light fittings



Distribution assemblies



Adaptors



Industrial cable reels



Accessories



Wire connectors



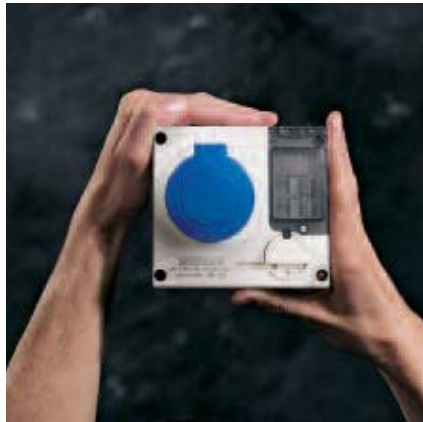
Conduits



Trunking



### SWITCHED SOCKET OUTLETS WITH INTERLOCK



OMNIA Series, in surface mounting and flush mounting versions without protective devices, is designed for industrial use and could also be used commercially with its attractive appearance and reduced size.

#### VERSIONS AVAILABLE

- Surface mounting
- Flush mounting and panel mounting
- Without fuse holder
- Rated voltage: up to 690V ~
- Rated current: 16A and 32A
- Protection degree: P44 and IP67

### STRUCTURAL CHARACTERISTICS

- Overall dimensions are the same for both 16A and 32A versions
- Fuses: gG 10,3x38 mm
- Surface mounting version can be installed in the modular base (module 136) of the ADVANCE System (pages 224-225).
- Flush mounting version with box of 70 mm depth, including frame to hide imperfections in the plastering
- Panel mounting version can be installed in DOMINO System enclosures (page 94).
- On the back of the base of the surface mounting socket are bases for fixing to the panel.
- There are knockouts for cable inlets in the base and in the following dimensions  
Upper surface: 1 PG21 Ø29 and 2 PG16 Ø23  
Lower surface: 1 PG21 Ø29  
Side surfaces: 2 PG16 Ø23  
Back surfaces: 2 PG16 Ø23
- Possibility to block the switch in closed and open position
- Mechanical interlock that prevents the switch from closing if the plug is not inserted, the extraction of the plug if the switch is closed and the opening of the socket outlet cover if the switch is closed.

Accessory for panel mounting, a special covering that can be fixed with 2 screws and ensures protection degree IP20 for the back part of the installation.

#### OMNIA Series can be incorporated into:

- OMNIA System (page 242)
- ADVANCE 2 System, module 136 (page 256)
- DOMINO System (from page 112)

### ELECTRICALLY INTERLOCKED VERSION

#### Extra low voltage <50V

#### Reference standards: IEC 60309-1 and IEC 60309-2

- With electrical interlock that works on the transformer primary, or if well connected, can activate relay and contactors.

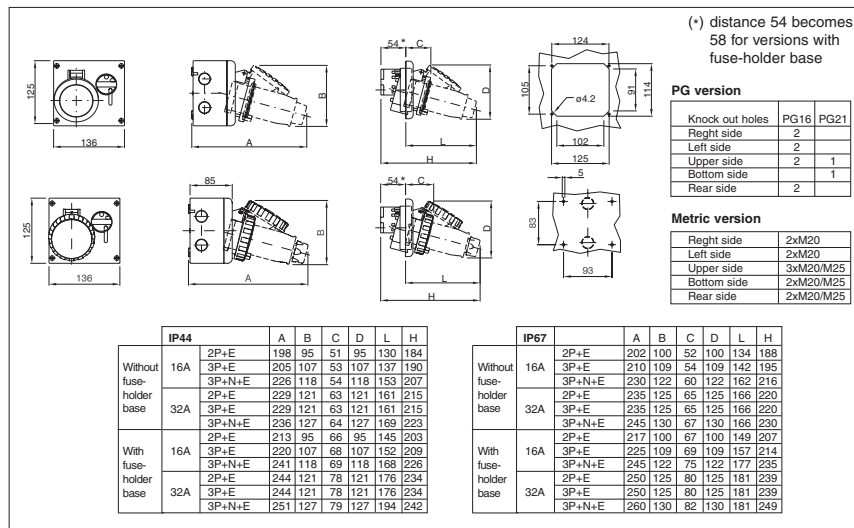
- Approvals: from page 587
- Systems: OMNIA (page 280)

### PANEL MOUNTING

DESCRIPTION	SOCKET	COLOUR	h	RATED VOLTAGE	PACK QTY.	IP44 CATALOGUE NUMBER	IP67 CATALOGUE NUMBER
With transformer* (1)	2P-16A		-	20-25V~	6	400.2416	405.2416
			12	40-50V~	6	400.2420	405.2420
Without transformer (2)	2P-32A		-	20-25V~	6	400.2620	405.2620
			12	40-50V~	6	400.2621	405.2621

When the plug is inserted a micro-switch turns on that closes the circuits

\*Unsuitable for 572.0310 and 572.M0310 boxes



(dimensions in mm)

### SURFACE MOUNTING(▲)

DESCRIPTION	SOCKET	COLOUR	h	RATED VOLTAGE	PACK QTY.	IP44 CATALOGUE NUMBER	IP67 CATALOGUE NUMBER
Without transformer (2)	2P-16A		-	20-25V~	6	500.2420	505.2420
			12	40-50V~	6	500.2421	505.2421
2P-32A			-	20-25V~	6	500.2620	505.2620
			12	40-50V~	6	500.2621	505.2621

When the plug is inserted a micro-switch turns on that closes the circuits

- (▲) The OMNIA Series surface mounting are also available in a Metric cable inlet.  
Add M after the first three digits (ex. 500.M2420).

#### NOTE

In ADVANCE2 System, use version with METRIC cable inlet

(1) SELV Transformer 220/24V- 150VA (continuous duty).

(2) The versions without transformer are particularly suitable for installations with centralised extra-low voltage transformer.



Plugs and sockets



Adaptors



Domestic cable reels



Lamp holders



TV & Phone



Plates and devices



Enclosures



Plugs and sockets



Interlocked sockets



Switchgear



Light fittings



Distribution assemblies



Adaptors



Industrial cable reels



Wire connectors



Accessories



Wire connectors



Conduits



Trunking

## SWITCHED SOCKET OUTLETS WITH INTERLOCK

Rated voltage > 50 V

Reference standard IEC 60309-1 and IEC 60309-2

- Without fuse carrier
- Can be padlocked

- Approvals: from page 587
- Switches as spare parts: page 325

(▲) The OMNIA Series surface mounting are also available in a Metric cable inlet. For ordering add M after the first three digits (ex. 500.M1670).

NOTE  
In ADVANCE2 System, use version with METRIC cable inlet

### SURFACE MOUNTING

		(▲)		(▲)	
		IP44		IP67	
Poles	Hz	16 A	32 A	16 A	32 A
		6	6	6	6
2P+E	50/60	500.1670	500.3270	505.1670	505.3270
	50/60	500.1683	500.3283	505.1683	505.3283
	50/60	500.1678	500.3278	505.1678	505.3278
	60	500.16837	500.32837	505.16837	505.32837
	50/60	500.16836	500.32836	505.16836	505.32836
	50/60	500.16833	500.32833	505.16833	505.32833
	>300-500	500.16832	500.32832	505.16832	505.32832
	c.c.	500.16834	500.32834	505.16834	505.32834
3P+E	50/60	500.16838	500.32838	505.16838	505.32838
	50/60	500.1672	500.3272	505.1672	505.3272
	50/60	500.1674	500.3274	505.1674	505.3274
	50/60	500.1686	500.3286	505.1686	505.3286
	60	500.16865	500.32865	505.16865	505.32865
	50/60	500.16866	500.32866	505.16866	505.32866
	50/60	500.16867	500.32867	505.16867	505.32867
	50/60	500.16863	500.32863	505.16863	505.32863
	50/60	500.16864	500.32864	505.16864	505.32864
	100-300	500.16861	500.32861	505.16861	505.32861
	>300-500	500.16862	500.32862	505.16862	505.32862
3P+N+E	50/60	500.1679	500.3279	505.1679	505.3279
	50/60	500.1675	500.3275	505.1675	505.3275
	50/60	500.1687	500.3287	505.1687	505.3287
	50/60	500.16876	500.32876	505.16876	505.32876
	50/60	500.16877	500.32877	505.16877	505.32877
	60	500.16875	500.32875	505.16875	505.32875
	50/60	500.16874	500.32874	505.16874	505.32874
	>300-500	500.16872	500.32872	505.16872	505.32872

### FLUSH MOUNTING \*

		(▲)		(▲)	
		IP44(▲)		IP67(▲)	
Poles	Hz	16 A	32 A	16 A	32 A
		6	6	6	6
63A	50/60	400.1670	400.3270	405.1670	405.3270
	50/60	400.1683	400.3283	405.1683	405.3283
	50/60	400.1678	400.3278	405.1678	405.3278
	60	400.16837	400.32837	405.16837	405.32837
	50/60	400.16836	400.32836	405.16836	405.32836
	50/60	400.16833	400.32833	405.16833	405.32833
	>300-500	400.16832	400.32832	405.16832	405.32832
	c.c.	400.16834	400.32834	405.16834	405.32834
	c.c.	400.16838	400.32838	405.16838	405.32838
	63A	50/60	400.1672	400.3272	405.1672
63A	50/60	400.1674	400.3274	405.1674	405.3274
	50/60	400.1686	400.3286	405.1686	405.3286
	60	400.16865	400.32865	405.16865	405.32865
	50/60	400.16866	400.32866	405.16866	405.32866
	50/60	400.16867	400.32867	405.16867	405.32867
	50/60	400.16863	400.32863	405.16863	405.32863
	50/60	400.16864	400.32864	405.16864	405.32864
	100-300	400.16861	400.32861	405.16861	405.32861
	>300-500	400.16862	400.32862	405.16862	405.32862
	63A	50/60	400.1679	400.3279	405.1679
63A	50/60	400.1675	400.3275	405.1675	405.3275
	50/60	400.1687	400.3287	405.1687	405.3287
	50/60	400.16876	400.32876	405.16876	405.32876
	50/60	400.16877	400.32877	405.16877	405.32877
	60	400.16875	400.32875	405.16875	405.32875
	50/60	400.16874	400.32874	405.16874	405.32874
	>300-500	400.16872	400.32872	405.16872	405.32872

(\*) These articles are only available with METRIC cable inlet (▲) The product must be installed with the relative component (ex., wall box 572.M0308).  
 (\*) Supplied with stainless steel fixing screws It is downgraded to IP55 when fastened onto a sufficiently rigid panel.

- Plugs and sockets
- Adaptors
- Domestic cablelets
- Lampholders
- TV & Phone
- Plates and devices
- Enclosures
- Plugs and sockets
- Interlocked sockets
- Switchgear
- Light fittings
- Distribution assemblies
- Adaptors
- Industrial cable reels
- Accessories
- Wire connectors
- Conduits
- Trunking



WITH FUSE HOLDER

## SWITCHED SOCKET OUTLETS WITH INTERLOCK

Rated voltage > 50 V

Reference standard IEC 60309-1 and IEC 60309-2

- With fuse holder (10,3x38)
- Can be padlocked

- Approvals from page 587
- Switches as spare parts page 325

(▲) The OMNIA Series surface mounting are also available in a Metric cable inlet. Add M after the first three digits (ex. 501.M1670).

NOTE  
In ADVANCE2 System, use version with METRIC cable inlet

Poles	Hz	Volt	Colour	h.	Pack qty.	
					6	9
2P+E	50/60	100-130	Yellow	4	6	9
	50/60	200-250	Blue	6	6	9
	50/60	380-415	Red	9	6	9
	60	277	Grey	5	6	9
	50/60	480-500	Grey	7	6	9
	50/60	is. transf.	Grey	12	6	9
	>300-500	>50	Green	2	6	9
	c.c.	>50-250	Grey	3	6	9
	c.c.	>250	Grey	8	6	9
	3P+E	50/60	100-130	Yellow	4	6
50/60		200-250	Blue	9	6	9
50/60		380-415	Red	6	6	9
60		440-460	Red	11	6	9
50/60		480-500	Grey	7	6	9
50/60		600-690	Black	5	6	9
50/60		is. transf.	Grey	12	6	9
50/60		380/440	Red	3	6	9
100-300		>50	Green	10	6	9
>300-500		>50	Green	2	6	9
3P+N+E	50/60	100-130	Yellow	4	6	9
	50/60	208-250	Blue	9	6	9
	50/60	346-415	Red	6	6	9
	50/60	480-500	Grey	7	6	9
	50/60	600-690	Black	5	6	9
	60	440-460	Red	11	6	9
	50/60	380/440	Red	3	6	9
	>300-500	>50	Green	2	6	9

## SURFACE MOUNTING (\*)

(▲)		(▲)	
IP44		IP67	
16 A	32 A	16 A	32 A
6	6	6	6
501.1670	501.M3270 #	506.1670	506.M3270 #
501.1683	501.M3283 #	506.1683	506.M3283 #
501.1678	501.M3278 #	506.1678	506.M3278 #
501.16837		506.16837	
501.16836		506.16836	
501.16833		506.16833	
501.16832		506.16832	
501.16834		506.16834	
501.16838		506.16838	
501.1672	501.M3272 #	506.1672	506.M3272 #
501.1674	501.M3274 #	506.1674	506.M3274 #
501.1686	501.M3286 #	506.1686	506.M3286 #
501.16865		506.16865	
501.16866		506.16866	
501.16867		506.16867	
501.16863		506.16863	
501.16864		506.16864	
501.16861		506.16861	
501.16862		506.16862	
501.1679	501.M3279 #	506.1679	506.M3279 #
501.1675	501.M3275 #	506.1675	506.M3275 #
501.1687	501.M3287 #	506.1687	506.M3287 #
501.16876		506.16876	
501.16877		506.16877	
501.16875		506.16875	
501.16874		506.16874	
501.16872		506.16872	

(#) These articles are only available with METRIC cable inlet and raised enclosure

WITH FUSE HOLDER

## FLUSH MOUNTING\*

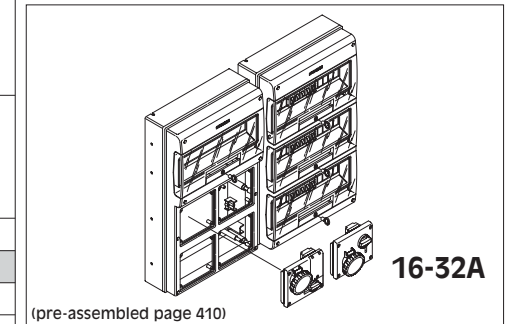
IP44		IP67	
16 A	32 A	16 A	32 A
6	6	6	6
401.1670	401.3270	406.1670	406.3270
401.1683	401.3283	406.1683	406.3283
401.1678	401.3278	406.1678	406.3278
401.16837		406.16837	
401.16836		406.16836	
401.16833		406.16833	
401.16832		406.16832	
401.16834		406.16834	
401.16838		406.16838	
401.1672	401.3272	406.1672	406.3272
401.1674	401.3274	406.1674	406.3274
401.1686	401.3286	406.1686	406.3286
401.16865		406.16865	
401.16866		406.16866	
401.16867		406.16867	
401.16863		406.16863	
401.16864		406.16864	
401.16861		406.16861	
401.16862		406.16862	
401.1679	401.3279	406.1679	406.3279
401.1675	401.3275	406.1675	406.3275
401.1687	401.3287	406.1687	406.3287
401.16876		406.16876	
401.16877		406.16877	
401.16875		406.16875	
401.16874		406.16874	
401.16872		406.16872	

(\*) Supplied with stainless steel fixing screws

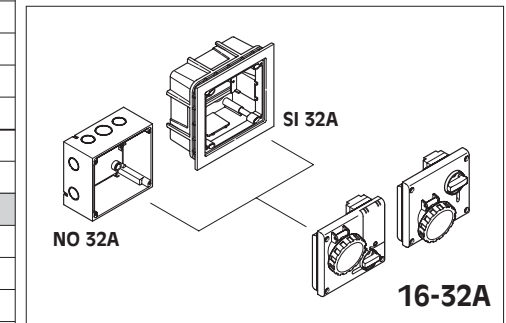
## OMNIA SERIES

The heart of SCAME's systems

### DOMINO System (from page 144)



### OMNIA System (from page 280)



### ADVANCE 2 System (from page 294) - METRIC cable inlet

