

TOP22 Series

Control and signalling accessories

No. REFERENCE SERIES

590.Pxxx



VERSIONS



Push buttons



Enbloc pilot lamp



Selectors



Contact blocks



Control stations

REFERENCE STANDARDS

Standards: **IEC 60947-5-1**
EN 60497-5-1
CEI 17-45

MARKING

Marking: **CE Marking**



QUALITY MARKS



TECHNICAL CHARACTERISTICS

Protection degree: **IP65**
Operating temperature according to the reference standard: **-25°C+70°C**
IK degree at 20°C: **IK05-IK09**
Material: **Engineering plastic**

ELECTRICAL RATING

Rated thermic voltage Ith: **16A**
Limits of usage as IEC 60947-5-1

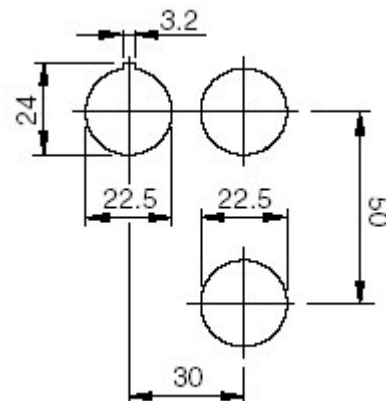
Cat. AC15

Voltage	Ue	IVI	24	60	110	230	400	440	500	590
Current	Ie	IAI	16	12	8	6	4,5	3,5	3	1

Cat. DC 13

Voltage	Ue	IVI	24	48	60	110	220
Current	Ie	IAI	2	1,2	0,85	0,4	0,25

Performance according to EN 60947-5-1



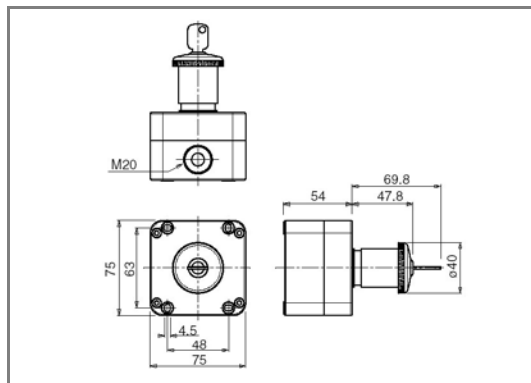
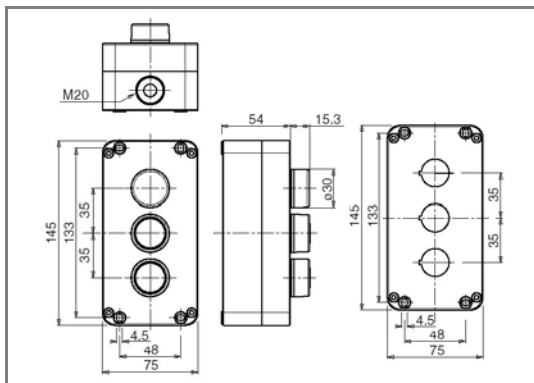
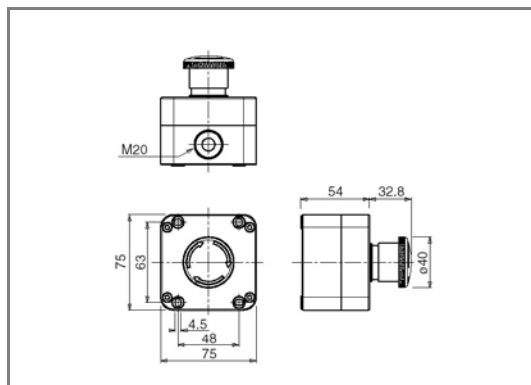
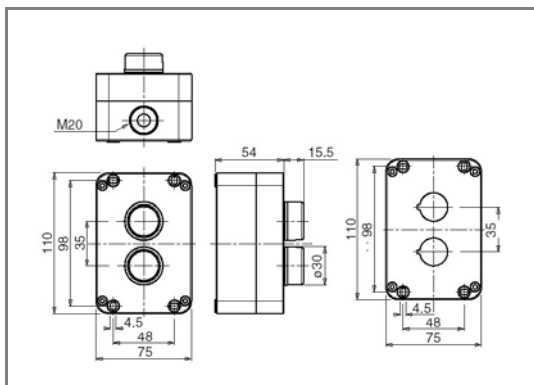
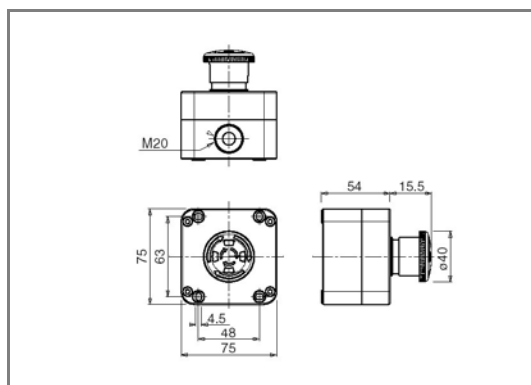
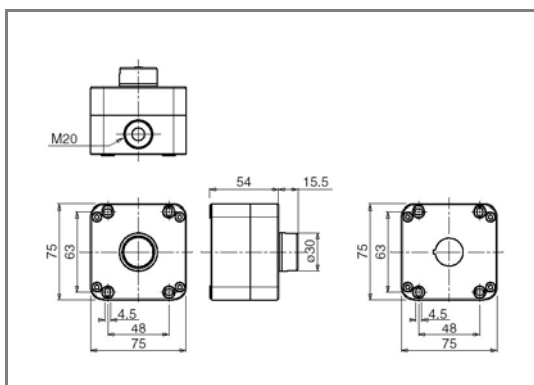
TOP22 Series Control and signalling accessories

No. REFERENCE SERIES

590.Pxxx



DIMENSIONS



> Ø22mm PUSH BUTTONS

TOP22 Series



Description	Colour	☐	
Flush button		10	590.PPRN1
		10	590.PPRN2
		10	590.PPRN5
		10	590.PPRN8
Protruding button		10	590.PPSN1
		10	590.PPSN8
Illuminated flush button		10	590.PPRL2
		10	590.PPRL5

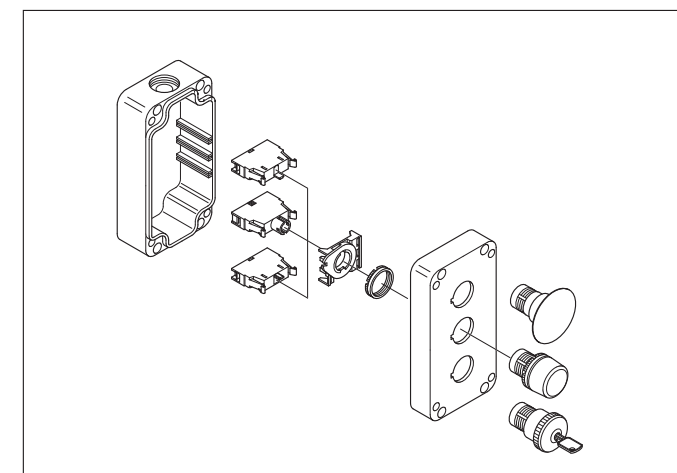
- Fixing by metal ring nut-hole diameter 22mm.
- Provided with contact carrier base plate.
- Clamping of the baseplate to the equipment by swing lever.

> MUSHROOM-HEAD EMERGENCY PUSH BUTTONS

TOP22 Series



Description	Mushroom-head diameter (mm)	Colour	☐	
Release by key	Ø40		10	590.PPFN1C4N
Without (temporary) locking	Ø40		10	590.PPFN1M4N
Release by rotation	Ø40		10	590.PPFN1R4N
Release by rotation	Ø60		10	590.PPFN1R6N



Assembling of the ø22 unit on suitable panelboards.

> LEVER SELECTORS

TOP22 Series



Description	Rotation angle	Colour	☐	
2 steady positions	90°		10	590.PSLN8D0
3 steady positions	2x90°		10	590.PSLN8T0
2 pulse positions	60°		10	590.PSLN8D2
3 pulse positions	2x60°		10	590.PSLN8T3

> KEY SELECTORS

TOP22 Series



Description	Rotation angle	Colour	☐	
2 steady positions	90°		10	590.PSCR8DOC
3 steady positions	2x90°		10	590.PSCR8TOC

- Key drawing when on "zero" position.

> ENBLOC PILOT LAMPS

TOP22 Series



Description	Bulb coupling	Colour	☐	
Pilot lamp	BA9S		10	590.PLML1
			10	590.PLML2
			10	590.PLML3
			10	590.PLML4
			10	590.PLML5

- Electric bulb not included.
- Maximum power supply voltage 250V~.

> AUXILIARY CONTACT

TOP22 Series



Description	☐	
NC contact	10	590.PL004001
NO contact	10	590.PL004002
Power supply unit for pilot lamp (*)	10	590.PL004007

- NO= normally open.
- NC= normally closed.
- (*) Maximum direct power supply.
- 250V with max 2W bulbs.

- Snap catch.
- The contacts may also be used as auxiliary equipments for SCAME operation switch disconnectors 16A, 20A and 32A.

> ACCESSORIES

TOP22 Series



Description	☐		
Black cap for Ø 22mm holes	10	590.PTRN8	
Black holder for rectangular labels	10		590.PPTN8
Rectangular blank label	10		590.PTA00



Description	☐		
Ø 60mm yellow emergency marker	10	590.PTE/I	
Pin wrench for ring nuts and bulb drawing	10		590.PCF






Description	Colour	☐	
Plate for panel cut-out for TOP22 Series components	1 gang	25	654.0101
	1 gang	25	654.0101Y
	2 gang	25	654.0102

- With gasket for IP66.

> ENCLOSURES - IP65




TOP22 Series

Description	Cable entry	□			
1 gang	M16 - M20	1/12	590.PR01K		
2 gang	2 X M20	1/10		590.PR02K	
3 gang	2 X M20	1/10			590.PR03K

- Empty enclosures for Auxiliary control equipment.

> COMPLETE PUSH-BUTTON PANEL - IP65

TOP22 Series

Description	Contact	Cable entry	□			
1 gang 1 black push button	1NO	M16 - M20	12	590.PR01RN8		
2 gang 1 green flush button (star) 1 red flush button (stop)	1NO 1NC	2 x M20	10		590.PR02A	
3 gang 1 green flush button (star) 1 red flush button (stop) 1 red indicator lamp (indicator)	1NO 1NC	2 x M20	10			590.PR03A



NO= normally open.




NC= normally closed.

- Enclosures complete with control and indicator lamp.

> EMERGENCY - IP65

TOP22 Series

Description	Mushroom-head (mm)	Cable entry	□		
1 gang - twist release with indicator	Ø40	M16 - M20	12	590.PR01R4S	
1 gang - key release	Ø40	M16 - M20	12		590.PR01C4N

Description	Mushroom-head (mm)	Cable entry	□			
1 gang - twist release	Ø40	M16 - M20	12	590.PR01R4N		
	Ø60	M16 - M20	12		590.PR01R6N	
1 gang - momentary (•)	-	M20	12			590.PG1M9W01

- Mushroom push-buttons for emergency stop.

- Supplied with 1 NC contact block.

(•) Spring loaded terminals.