

## SCABOX Series

### Junction boxes for electric installations

No. REFERENCE SERIES
<b>680</b>
<b>685</b>
<b>686</b>



#### VERSIONS

	<b>With cable sleeves IP44</b> With press-fit cover		<b>With blank sides IP56</b> With screw-down cover
	<b>With cable sleeves IP55</b> With screw-down cover		<b>With blank sides IP56</b> Higher box with screw-down cover

#### REFERENCE STANDARDS

Standards: **IEC 60670**

#### MARKING

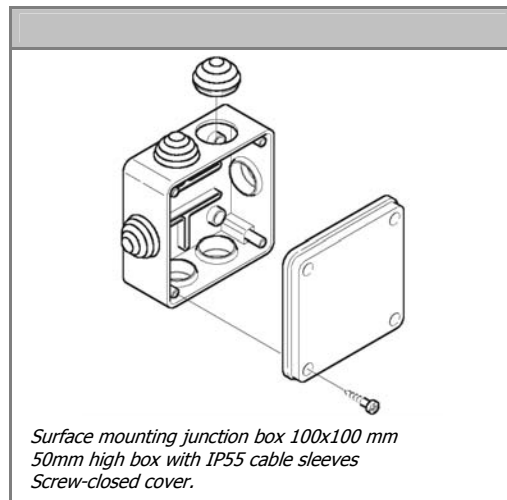
Marking: **CE Marking** 

#### QUALITY MARKS



#### TECHNICAL CHARACTERISTICS

Protection degree: **IP44–IP55–IP56**  
 Operating temperature according to the reference standard: **-25°C+35°C**  
 Max. operating temperature: **60°C**  
 Glow Wire test: **650°C**  
 Material: **Engineering plastic**  
 IK degree at 20°C: **IK04/IK08**  
 Total insulation  : **YES**  
 Halogen free: **YES (blank sides versions)**  
 DIN rail fixing: **YES**  
 Colore: **Grey RAL 7035**



#### BEHAVIOUR WITH CHEMICAL AND ATMOSPHERIC AGENTS

Saline solution	Acids		Bases		Solvents				Mineral oil	UV rays
	Concentrated	Diluted	Concentrated	Diluted	Hexane	Benzol	Acetone	Alcohol		
<b>RESISTANT</b>	<b>LIMITED RESISTANCE</b>	<b>RESISTANT</b>	<b>LIMITED RESISTANCE</b>	<b>RESISTANT</b>	<b>NOT RESISTANT</b>	<b>NOT RESISTANT</b>	<b>NOT RESISTANT</b>	<b>LIMITED RESISTANCE</b>	<b>LIMITED RESISTANCE</b>	<b>RESISTANT</b>



## JUNCTION BOXES



### GENERAL DESCRIPTION

Made of halogen free (blank sides versions), impact resistant, self-extinguishing thermoplastic material. SCABOX junction boxes are designed for power distribution in outdoor installations and for housing relays, timers, connecting strips, etc.



Cable inlet through cable sleeve or cable gland, grooves on the bottom for fixing terminal strips.



## REFERENCE STANDARDS

### IEC 60670

General requirements for enclosures for accessories for household and similar fixed electrical installations

## VERSIONS

There are four versions available:

- With cable sleeves - IP44 with press-fit cover
- With cable sleeves - IP55 with screw-down cover
- With blank sides - IP56 with screw-down cover
- With blank sides - IP56 higher box with screw-down cover

The cable sleeve versions already have cable inlet holes, making installation easier.

Multiple-size cable sleeve:  
 PG16 - Ø 23 (for conduit or cable Ø 4.5 - Ø 14 - Ø 18 mm)  
 PG21 - Ø 29 (for conduit or cable Ø 4.5 - Ø 14 - Ø 23 mm)  
 PG29 - Ø 38 (for conduit or cable Ø 4.5 - Ø 18 - Ø 30 mm)  
 PG36 - Ø 48 (for conduit or cable Ø 4 - Ø 18 - Ø 30 - Ø 39 mm)



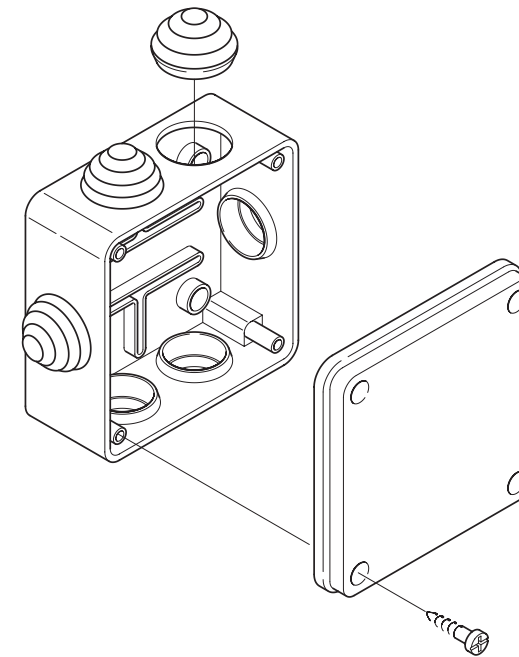
## TECHNICAL CHARACTERISTICS

The materials used to produce the SCABOX Series stand out for their resistance to mechanical stresses and weathering. In particular:

- Anti-impact, self-extinguishing, halogen free engineering plastic (blank sides versions)
- RAL 7035 grey, stabilised, ensuring no migration of colour
- Operating temperature: -25 +60°C
- Total insulation according to EN 60439-1 ☐
- Stainless steel screws highly resistant to mechanical stresses and corrosion

## STRUCTURAL CHARACTERISTICS

- **Captive seal** already in place. Provides perfect fit even after repeated opening and closing.
- **Captive closing screws** made of corrosion-proof stainless steel and highly resistant to mechanical stresses. Double-thread screws for fast screwing, slotted and cross-recessed head.
- **Multiple-size cable sleeve.** With the cable opening closed has a protection degree of IP55. Three types for PG16-21-29 (diameters of 23-29-38 mm).
- **Grooved bottom** on the inside of the box for fastening appliances and accessories by means of self-tapping screws.
- **Surface mounting** from the inside with pass-through screws or from the rear (only for 190X140, 240X190, 300X220 mm).
- **Draining holes** on all sides.



SCABOX Series  
 Surface mounting junction box 100X100 mm  
 50 mm high box with IP55 cable sleeves  
 Screw-closed cover.





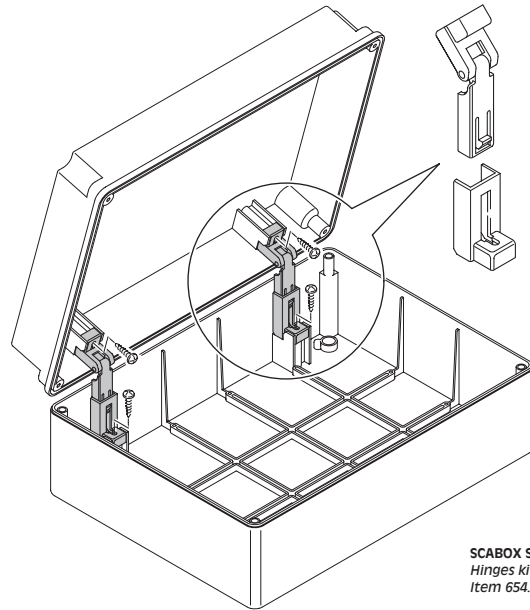
## HINGES KIT

An interesting novelty for the SCABOX Series, a practical hinge kit is available that permits the book-like opening of the cover while keeping it integral with the base.

The kit can be optionally applied inside the casing in a quick and simple manner; thus the SCABOX acquires greater functionality – perfect in the installation phase, during the wiring operations, and extremely practical for the subsequent phases of maintenance and inspection, since it keeps the cover supported and hinged to the base.

Pressing lightly on the small lever of the hinge, it is possible to remove the cover from the base and to thus separate the two elements.

With a simple locking manoeuvre it is possible to eventually replace the cover to the base.



SCABOX Series  
Hinges kit (3 pieces)  
Item 654.0085



## SURFACE MOUNTING JUNCTION BOXES

### Reference standard: IEC 60670

- Made of self-extinguishing engineering plastic
- RAL 7035 grey
- Max. operating temperatures: 60°C
- Total insulation to EN 60439-1 ☐ (use with specially designed screw cover caps art. 654.0080)

### BOX WITH CABLE SLEEVES - IP44

- With press-fit cover

INTERNAL DIMENSIONS (A x B x h) mm	NO. OF INLETS FOR	FASTENING SCREWS	PACK QTY.	CATALOGUE NUMBER
Ø 65 x 35	4 ø 23 mm PG 16	2	4/100	☎ 680.001
Ø 80 x 40	4 ø 23 mm PG 16	2	4/100	☎ 680.002
80 x 80 x 40	6 ø 23 mm PG 16	2	4/60	☎ 680.003

### BOX WITH CABLE SLEEVES - IP55

- With screw-down cover

INTERNAL DIMENSIONS (A x B x h) mm	NO. OF INLETS FOR	FASTENING SCREWS	PACK QTY.	CATALOGUE NUMBER
100 x 100 x 50	6 ø 29mm PG 21	4	1/48	☎ 685.004
120 x 80 x 50	6 ø 29mm PG 21	4	1/54	☎ 685.005
150 x 110 x 70	10 ø 29mm PG 21 (K1)	4	1/40	☎ 685.006
190 x 140 x 70	10 ø 38mm PG 29 (K1)	4	1/24	☎ 685.007
240 x 190 x 90	12 ø 38mm PG 29 (K1) ▲	4	1/12	☎ 685.008
300 x 220 x 120	12 ø 38mm PG 29 (K1) ▲	4	1/6	☎ 685.009
380 x 300 x 120	12 ø 48mm PG 36 (K1) ▲	4	1/4	☎ 685.010
460 x 380 x 130	14 ø 48mm PG 36 (K2) ▲	6	1	☎ 685.011

▲ Suitable for hinges mounting

(K1) It is possible to use the wall mounting brackets kit item 654.0021

(K2) It is possible to use the wall mounting brackets kit item 654.0023



## SURFACE MOUNTING JUNCTION BOXES

Reference standards: IEC 60670

- Made of self-extinguishing engineering plastic
- RAL 7035 grey
- Max. operating temperatures: 60°C
- Total insulation to EN 60439-1 (use with specially designed screw cover caps art. 654.0080)

### BOX WITH BLANK SIDES - IP56

- With screw-down cover

INTERNAL DIMENSIONS (A x B x h) mm	FASTENING SCREWS	PACK QTY.	CATALOGUE NUMBER	
			blank cover	clear cover
100 x 100 x 50	4	1/40	686.204	686.224
120 x 80 x 50	4	1/42	686.205	686.225
150 x 110 x 70 (K1)	4	1/48	686.206	686.226
190 x 140 x 70 (K1)	4	1/30	686.207	686.227
240 x 190 x 90 (K1) ▲	4	1/16	686.208	686.228
300 x 220 x 120 (K1) ▲	4	1/8	686.209	686.229
380 x 300 x 120 (K1) ▲	4	1/4	686.210	686.230
452 x 320 x 130 (K2) ▲	6	1	686.211	686.231

▲ Suitable for hinges mounting item 654.0085

(K1) It is possible to use the wall mounting brackets kit item 654.0021

(K2) It is possible to use the wall mounting brackets kit item 654.0023



### HIGHER BOX WITH BLANK SIDES - IP56

- Screw-down cover

INTERNAL DIMENSIONS (A x B x h) mm	FASTENING SCREWS	PACK QTY.	CATALOGUE NUMBER	
			blank cover	clear
100 x 100 x 80	4	1/24	686.404	686.424
240 x 190 x 125 ▲	4	1/6	686.408	686.428
300 x 220 x 170 ▲	4	1/6	686.409	686.429
380 x 300 x 170 (K1) ▲	4	1/3	686.410	686.430
452 x 380 x 180 (K2) ▲	6	1	686.411	686.431

▲ Suitable for hinges mounting item 654.0085

(K1) It is possible to use the wall mounting brackets kit item 654.0021

(K2) It is possible to use the wall mounting brackets kit item 654.0023



## ACCESSORIES

### MOUNTING PLATE

BOX (mm)	DIMENSIONS (A x B) mm	FASTENING SCREWS	PACK QTY	CATALOGUE NUMBER
190 x 140	176 x 126 x 1,5	4	1	654.0787
240 x 190	226 x 176 x 1,5	4	1	654.0788
300 x 220	284 x 173 x 1,5	4	1	654.0789
380 x 300	358 x 252 x 1,5	4	1	654.0790
452 x 372	414 x 318 x 1,5	4	1	654.0791



### SEALING CAPS

- For providing total insulation e according to EN 60439-1

DESCRIPTON	PACK QTY	CATALOGUE NUMBER
N° 12 Sealing caps	10/100	654.0080



### SEALING KIT

BOX (mm)	PACK QTY	CATALOGUE NUMBER
(190 x 140) - (240 x 190) - (300 x 220) - (380 x 300)	25	654.0032



### HINGES KIT

DESCRIPTON	PACK QTY	CATALOGUE NUMBER
Hinges kit (3 pieces)	1/20	654.0085



### WALL MOUNTING BRACKETS KIT

DESCRIPTON	COLOUR	PACK QTY	CATALOGUE NUMBER
Wall mounting brackets kit	K1 (4 pieces)	10	654.0021
Wall mounting brackets kit	K2 (4 pieces)	10/100	654.0023





## JUNCTION BOXES FOR ELECTRICAL INSTALLATIONS



### GENERAL DESCRIPTION

Two new ranges of connection boxes for electrical installations are available in 6 different sizes. Manufactured in thermo-plastic, shock-resistant and self-extinguishing material, series CUBIK boxes are weatherproof and ideal for housing small equipment.



## REFERENCE STANDARDS

### IEC 60670

Boxes and enclosure for electrical accessories for household and similar fixed electrical installation

### VERSIONS

**CUBIK 650 Series – Glow wire 650°C halogen free:**  
Colour: grey RAL 7035

- With fairleads and release cover
- With fairleads and 1/4 -turn screw cover
- With smooth walls and 1/4 -turn screw cover

**CUBIK 960 Series – Glow wire 960°C:**  
Colour: grey RAL 7035

- With fairleads and release cover
- With fairleads and 1/4 -turn screw cover
- With smooth walls and 1/4 -turn screw cover

Colour: grey RAL 7035 cover, red base

- With fairleads and release cover
- With fairleads and 1/4 -turn screw cover
- With smooth walls and 1/4 -turn screw cover

### TECHNICAL FEATURES

- Protection degree: IP55.
- Operating temperature: -25°C + 60°C.
- Colour: grey RAL 7035.
- Release or 1/4 -turn screw cover.
- Co-printed gasket in the versions provided with screws.
- 5-step fairlead.
- Preset for DIN rail or terminal fixing.
- Fixing on piece with threaded tang for versions with release cover.
- Fixing system out of cabling area
- Numbered outputs to make the identification of circuits easier.
- Possibility to write on cover (inside) to make the identification of circuits easier.
- Covers for total insulation  provided in the kit.
- Mechanical resistance according to EN 50102 standard at 20°C: IK07

*Glow wire 960°C versions (also in red) are identifiable by the symbol marked on the external side.*

**SCAME**

IP55

688.204.R



## INTERNAL FIXING SYSTEM

Connecting boxes up to 80x80x40mm dimensions feature two internal knock out fixing slots.

These are screwed to existing fixings on the wall. The fixings feature an external M7 threaded pin which is designed to fit with the base of the boxes.

Connecting boxes over 100x100x50mm dimensions feature four internal knock out fixing slots.



## BACK FIXING SYSTEM

Versions up to 80x80x40mm dimensions can also be screwed to existing fixings on the wall. The fixings feature an external M7 threaded pin, which is designed to fit with the base of boxes.

In addition, specific reeding is on the backside so to avoid any accidental rotational movement of the box.



## EXTERNAL FIXING SYSTEM

Connecting boxes above 100x100x50mm dimensions can also be wall mounted by four fixing slots featured outside the cabling area to avoid piercing the box.



## INSULATING CAPS

All versions are provided with caps for a complete insulating effect.



## CLOSING

The cover is available either as a pressure-type for the small boxes or closed with four 1/4 - turn screws for the larger boxes.

The 1/4 - turn screw versions feature 0-1 markings indicating OPEN-CLOSE.

A gasket within the connecting box ensures that the base and cover are joined effectively.



Plugs and sockets



Adaptors



Domestic cabletrays



Lampholders



TV & Phone



Plates and devices



Enclosures



Plugs and sockets



Interlocked sockets



Switchgear



Light fittings



Distribution assemblies



Adaptors



Industrial cable reels



Accessories



Wire connectors



Conduits



Trunking



### CAPACITY

Series CUBIK connector blocks are very spacious; raised walls increase the internal room, making any cabling operation easier.

### CABLES SLEEVES

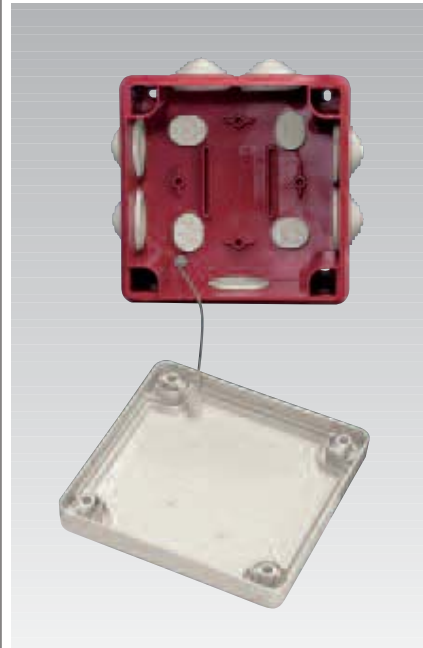
Cable sleeve provided with the kit consist of 5 different levels allowing the identification of pipe and wire diameters, making precise cut for cable easier and cable positioning quicker.

Versions up to 80x80x40mm dimensions are equipped with 23mm-diameter cable sleeve that fit 5, 8, 12, 16 or 20mm-diameter wires or pipes; on the contrary, versions up to 100x100x50mm dimensions are provided with 29mm-diameter cable sleeve that fit 5, 12, 16, 20 and 25mm diameters.

The cable sleeve completely fit the pipe/wire in a reliable way.

### CAPTIVE COVER

This cover has been designed for all versions with a support cable to retain the cover.



## CUBIK SERIES

Reference standards: IEC 60670

### VERSION WITH CABLE SLEEVES

- Colour: grey RAL 7035

COVER	SIZES	INPUTS	PACK QTY.	CATALOGUE NUMBER Glow wire 650°C	CATALOGUE NUMBER Glow wire 960°C
Release type	ø65x40mm	4 x ø23mm	4/100	⊕ 687.001*	⊕ 688.001*
	ø80x40mm	4 x ø23mm	4/100	⊕ 687.002*	⊕ 688.002*
	80x80x40mm	7 x ø23mm	4/60	⊕ 687.003*	⊕ 688.003*
4 1/4 -turn screws	100x100x50mm	7 x ø29mm	1/48	⊕ 687.004	⊕ 688.004
	120x80x50mm	6 x ø29mm	1/54	⊕ 687.005	⊕ 688.005
	150x110x70mm	10 x ø29mm	1/40	⊕ 687.006	⊕ 688.006

\* Suitable for the threaded insert item 654.0022

- Colour: grey RAL 7035 cover, red base

COVER	SIZES	INPUTS	PACK QTY.	CATALOGUE NUMBER Glow wire 650°C	CATALOGUE NUMBER Glow wire 960°C
Release type	80x80x40mm	7 x ø23mm	4/60	-	⊕ 688.003.R*
4 1/4 -turn screws	100x100x50mm	7 x ø29mm	1/48	-	⊕ 688.004.R
	120x80x50mm	6 x ø29mm	1/54	-	⊕ 688.005.R

\* Suitable for the threaded insert item 654.0022

### VERSION WITH BLANK SIDES

- Colour: grey RAL 7035

COVER	SIZES	PACK QTY.	CATALOGUE NUMBER Glow wire 650°C	CATALOGUE NUMBER Glow wire 960°C
4 1/4 -turn screws	100x100x50mm	1/40	⊕ 687.204	⊕ 688.204
	120x80x50mm	1/42	⊕ 687.205	⊕ 688.205
	150x110x70mm	1/48	⊕ 687.206	⊕ 688.206

- Colour: grey RAL 7035 cover, red base

COVER	SIZES	PACK QTY.	CATALOGUE NUMBER Glow wire 650°C	CATALOGUE NUMBER Glow wire 960°C
4 1/4 -turn screws	100x100x50mm	1/40	-	⊕ 688.204.R
	120x80x50mm	1/42	-	⊕ 688.205.R

### ACCESSORIES

DESCRIPTION	PACK QTY.	CATALOGUE NUMBER
Threaded insert for CUBIK series	100	654.0022



Plugs and sockets



Adaptors



Domestic cablelets



Lampholders



TV & Phone



Plates and devices



Enclosures



Plugs and sockets



Interlocked sockets



Switchgear



Light fittings



Distribution assemblies



Adaptors



Industrial cable reels



Accessories



Wire connectors



Conduits

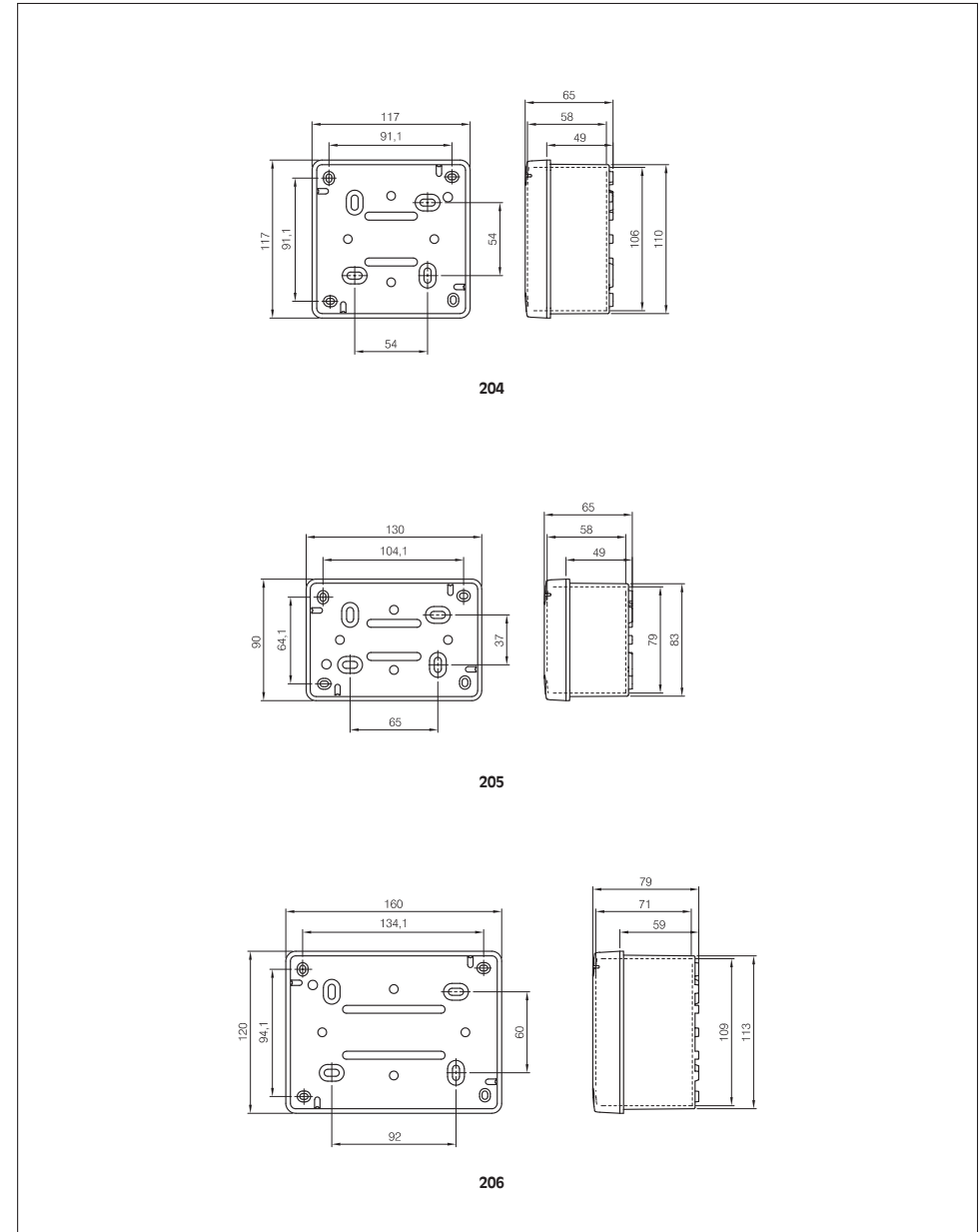
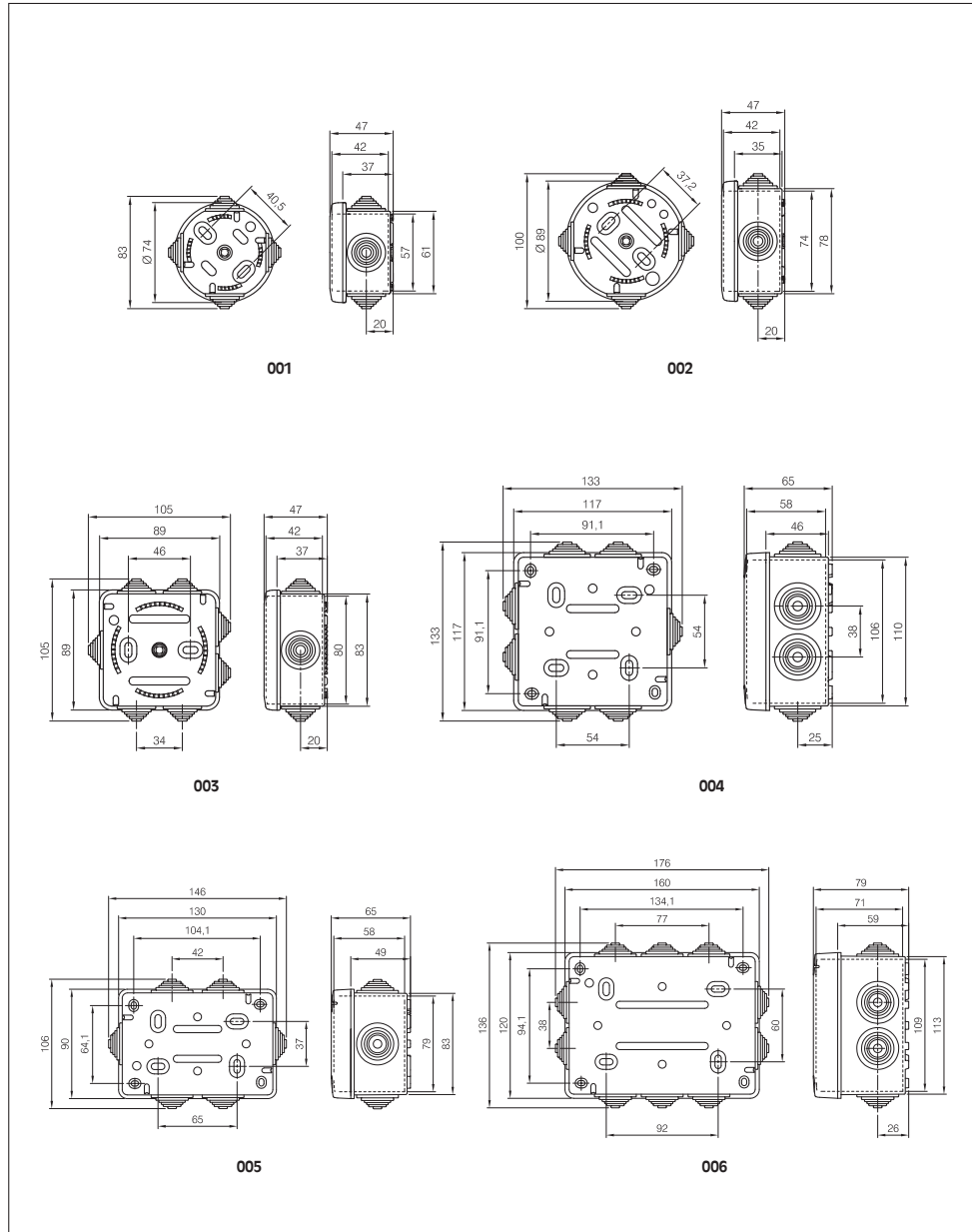


Trunking



Trunking

## DIMENSIONS



- Plugs and sockets
- Adaptors
- Domestic cable reels
- Lamp holders
- TV & Phone
- Plates and devices
- Enclosures
- Plugs and sockets
- Interlocked sockets
- Switchgear
- Light fittings
- Distribution assemblies
- Adaptors
- Industrial cable reels
- Accessories
- Wire connectors
- Conduits
- Trunking